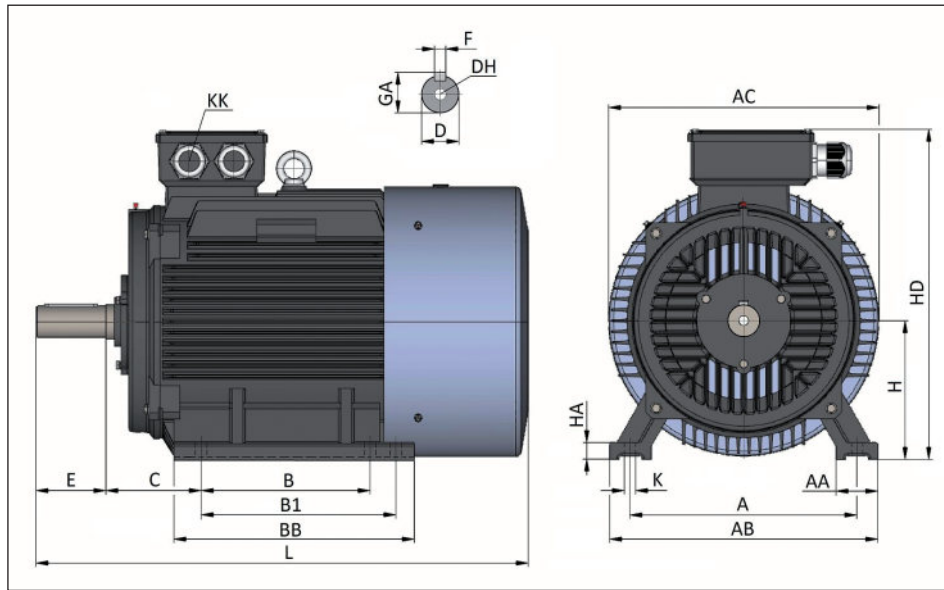
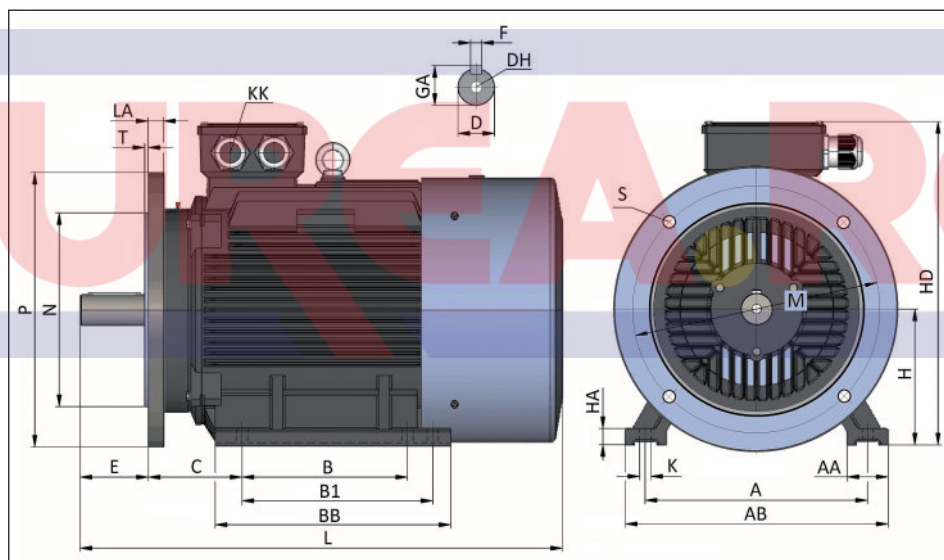


DIMENSIONAL DRAWING

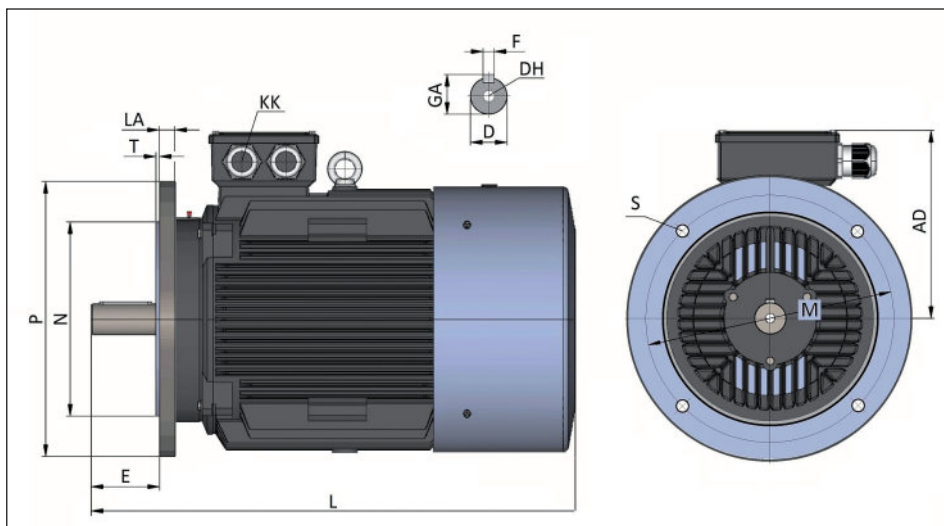
Foot mounting B3



Foot & flange mounting B35



Flange mounting B5/V1

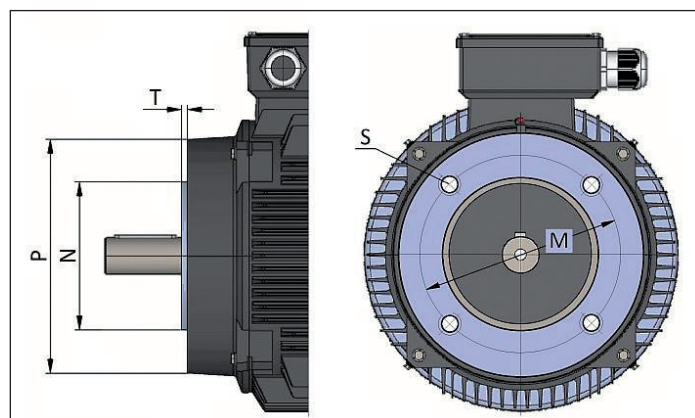


ASSEMBLY AND OVERALL DIMENSIONS

Frame size	2p	A	B	B1	C	D	E	F	GA	H	K	AA	AB	AC	AD	BB	DH	HA	HD	L	KK
OMT3-IE3 80	2-6	125	100	-	50	19	40	6	21.5	80	10	35	160	155	140	130	M6	12	220	300	M20x1.5
OMT3-IE3 90S	2-6	140	100	-	56	24	50	8	27	90	10	36	177	175	155	140	M8	12	245	327	M25x1.5
OMT3-IE3 90L	2-6	140	125	-	56	24	50	8	27	90	10	36	177	175	155	215	M8	12	245	385	M25x1.5
OMT3-IE3 100L	2-6	160	140	-	63	28	60	8	31	100	12	40	200	195	165	175	M10	14	265	403	M25x1.5
OMT3-IE3 112M	2-6	190	140	-	70	28	60	8	31	112	12	45	230	220	201	180	M10	15	313	430	M32x1.5
OMT3-IE3 132S	2-6	216	140	-	89	38	80	10	41	132	12	56	264	258	206	225	M12	18	338	504	M32x1.5
OMT3-IE3 132M	2-6	216	178	-	89	38	80	10	41	132	12	56	264	258	206	225	M12	18	338	504	M32x1.5
OMT3-IE3 160M	2-6	254	210	-	108	42	110	12	45	160	15	67	315	315	265	305	M16	20	425	650	M40x1.5
OMT3-IE3 160L	2-6	254	254	-	108	42	110	12	45	160	15	67	315	315	265	305	M16	20	425	650	M40x1.5
OMT3-IE3 180M	2-6	279	241	-	121	48	110	14	51.5	180	15	70	349	355	271	315	M16	22	451	700	M40x1.5
OMT3-IE3 180L	2-6	279	279	-	121	48	110	14	51.5	180	15	70	349	355	271	350	M16	22	451	740	M40x1.5
OMT3-IE3 200L	2-6	318	305	-	133	55	110	16	59	200	19	70	388	397	305	370	M20	25	505	776	M50x1.5
OMT3-IE3 225S	4-6	356	286	-	149	60	140	18	64	225	19	75	431	445	325	370	M20	28	550	815	M50x1.5
OMT3-IE3 225M	2	356	311	-	149	55	110	16	59	225	19	75	431	445	325	395	M20	28	550	825	M50x1.5
	4-6	356	311	-	149	60	140	18	64	225	19	75	435	445	325	395	M20	28	550	845	M50x1.5
OMT3-IE3 250M	2	406	349	-	168	60	140	18	64	250	24	80	485	485	365	445	M20	30	615	925	M63x1.5
	4-6	406	349	-	168	65	140	18	69	250	24	80	485	485	365	445	M20	30	615	925	M63x1.5
OMT3-IE3 280S	2	457	368	-	190	65	140	18	69	280	24	85	545	547	390	490	M20	35	670	998	M63x1.5
	4-6	457	368	-	190	75	140	20	79.5	280	24	85	545	547	390	490	M20	35	670	998	M63x1.5
OMT3-IE3 280M	2	457	419	-	190	65	140	18	69	280	24	85	550	547	390	540	M20	35	670	1046	M63x1.5
	4-6	457	419	-	190	75	140	20	79.5	280	24	85	550	547	390	540	M20	35	670	1046	M63x1.5
OMT3-IE3 315S	2	508	406	-	216	65	140	18	69	315	28	120	630	620	540	570	M20	45	855	1190	M63x1.5
	4-6	508	406	-	216	80	170	22	85	315	28	120	630	620	540	570	M20	45	855	1220	M63x1.5
OMT3-IE3 315M.L	2	508	457	508	216	65	140	18	69	315	28	120	630	620	540	680	M20	45	855	1295	M63x1.5
	4-6	508	457	508	216	80	170	22	85	315	28	120	630	620	540	680	M20	45	855	1325	M63x1.5
OMT3-IE3 355M	2	610		560	254	75	140	20	79.5	355	28	116	726	700	647	750	M20	52	1002	1484	M63x1.5
	4-6	610		560	254	95	170	25	100	355	28	116	726	700	647	750	M20	52	1002	1514	M63x1.5
OMT3-IE3 355L	2	610		630	254	75	140	20	79.5	355	28	116	726	700	647	750	M20	52	1002	1484	M63x1.5
	4-6	610		630	254	95	170	25	100	355	28	116	726	700	647	750	M20	52	1002	1514	M63x1.5

Dimensions of flanges

Frame size	B5						B14L					B14S				
	M	N	P	S	T	LA	M	N	P	S	T	M	N	P	S	T
OMT3-80	165	130	200	4x Ø12	3.5	12	130	110	160	4x M8	3.5	100	80	120	4x M6	3.0
OMT3-90	165	130	200	4x Ø12	3.5	12	130	110	160	4x M8	3.5	115	95	140	4x M8	3.0
OMT3-100	215	180	250	4x Ø15	4	13	165	130	200	4x M10	3.5	130	110	160	4x M8	3.5
OMT3-112	215	180	250	4x Ø15	4	14	165	130	200	4x M10	3.5	130	110	160	4x M8	3.5
OMT3-132	265	230	300	4x Ø15	4	14	215	180	250	4x M12	4.0	165	130	200	4x M10	3.5
OMT3-160	300	250	350	4x Ø19	5	15										
OMT3-180	300	250	350	4x Ø19	5	15										
OMT3-200	350	300	400	4x Ø19	5	17										
OMT3-225	400	350	450	8x Ø19	5	20										
OMT3-250	500	450	550	8x Ø19	5	22										
OMT3-280	500	450	550	8x Ø19	6	22										
OMT3-315	600	550	660	8x Ø24	6	22										
OMT3-355	740	680	800	8x Ø24	6	25										



Comments:

- 1) Flange motors mounted in position B5 are available for frame sizes 80 to 280.
- 2) Flange motors mounted in position V1 can be supplied with an additional small protective roof.
- 3) Flange motors B14S and B14L are available only for frame sizes 80 to 132.

Note: The manufacturer reserves the right to change the operating parameters and overall dimensions as the construction is modernized.