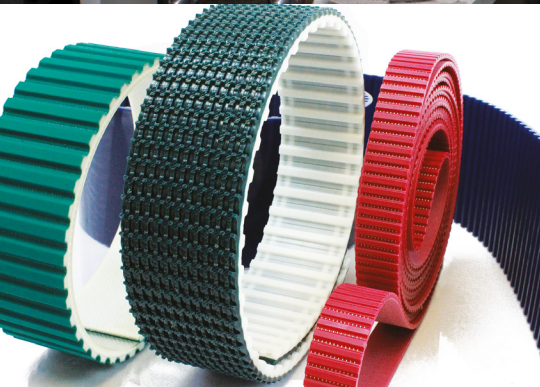


# PACKAGING



**MEGADYNE**

# Packaging Industry

Megadyne has been designing and manufacturing power transmission belts, matched components, and complete belt systems for all types of equipment since 1957. We are a reliable partner for original equipment manufacturers and aftermarket distributors, with:

- 9 manufacturing plants in Europe, North America, and Asia,
- more than 170 Customer Solution Centres,
- 3 main distribution hubs around the world, able to deliver products efficiently, from large industrial sites to remote locations.

Due to the years of expertise, we provide innovative solutions to specific Packaging Industry needs, offering a wide selection of belts for various manufacturing processes. You may find our products in the packaging equipment involved in the initial and final stages of production. Major applications of our standard and customised belts include: converting and die cutting equipment, form fill and seal, filling and capping machines, case erecting, case and tray packing, box filling and closing lines, palletizing and warehousing.

## BELT PROPERTIES

### MEGADYNE RUBBER ENDLESS TIMING BELTS

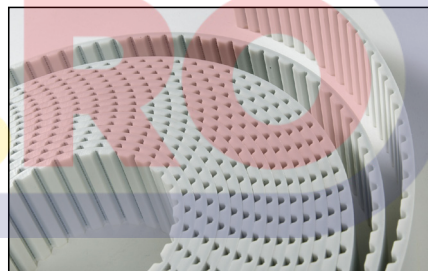
SUPPLIED AS	Endless
LENGTH	248 - 4956 mm
WIDTH	12 - 170 mm*
PITCH	L, H, RPP8, RPP14, SLV2 8, SLV2 14
TENSIONING MEMBER	Fiberglass
FEATURES	High stability and power transmission

\*Standard Width Range - MEGADYNE will cut to



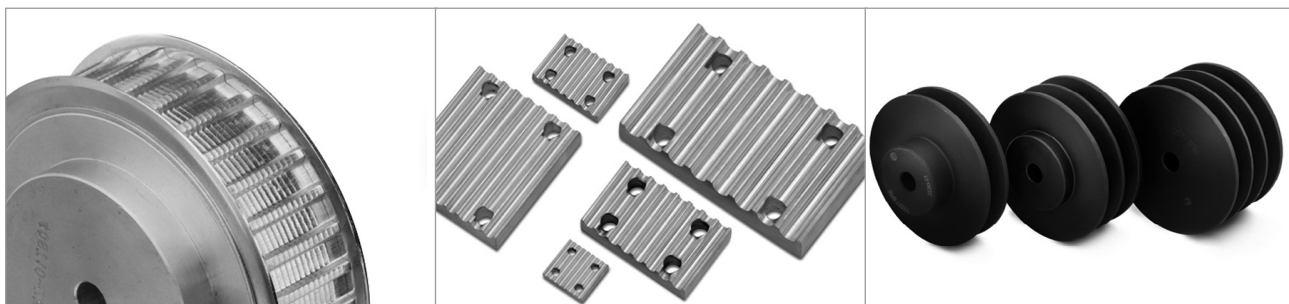
### MEGADYNE POLYURETHANE TIMING BELTS

SUPPLIED AS	Open End Roll - Endless - Joined - PPJ
LENGTH	Megalinear 0.5 - 100 m Megaflex 1.5 - 22.77 m
WIDTH	6 - 150 mm
PITCH	T5, T10, T20, AT5, AT10, AT20, RPP8, RPP14, MTD8, MTD14, TG10, ATG10, TG20, ATG20
TENSIONING MEMBER	Steel - HP - HF - HPF - Stainless Steel - Kevlar®
FEATURES	High resistance belts available in different lengths

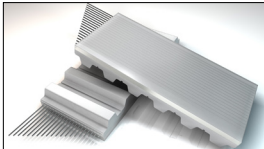


## POWER TRANSMISSION COMPONENTS

Use an extensive range of pulleys and accessories like timing bars, flanges, clamping plates, couplings to design a complete drive transmission system.



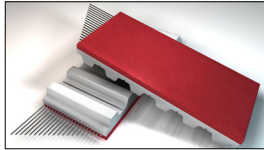
# MEGADYNE SPECIAL COVERS AND MODIFICATIONS



## AVAFC 60/70/85

MATERIAL	Polyurethane
COLOUR	Transparent

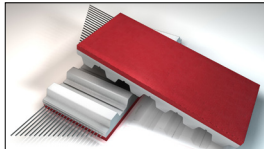
Excellent cut and wear resistance and good oil resistance.



## TENAX STANDARD / TENAX 40

MATERIAL	Natural Rubber
COLOUR	Red

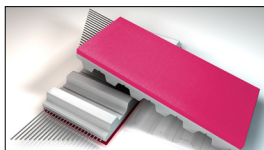
High Grip with good wear resistance.



## LINATEX™ RED

MATERIAL	Natural Rubber
COLOUR	Red

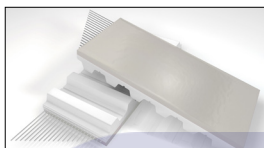
Cover offers high CoF, good wear resistance, good in wet conditions.



## RED GRIP

MATERIAL	PU/Synthetic Rubber
COLOUR	Red

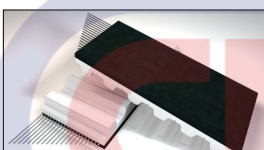
A seamless alternative to LINATEX™. Only available on MEGAFLEX.



## SILICONE

MATERIAL	Silicone
COLOUR	White/Beige/Black/ Transparent/Blue/Red

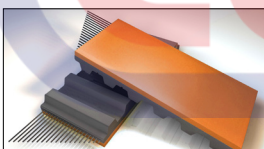
Cover offers a good CoF and very good abrasion resistance.



## NBR

MATERIAL	Nitrile Caoutchouc
COLOUR	Black

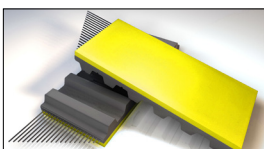
Cover offers improved oil and grease resistance compared to natural rubber.



## DURATAQ™

MATERIAL	Natural Rubber
COLOUR	Orange/Red

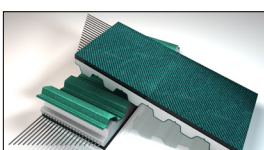
Cover offers a proprietary custom blended rubber which has a good CoF and very good abrasion resistance.



## RP 400 YELLOW

MATERIAL	Caoutchouc
COLOUR	Yellow

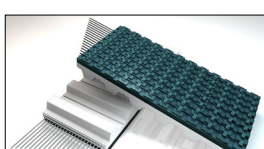
Cover has fine fabric texture, characteristics similar to LINATEX™ but higher abrasion resistance.



## NFB/NFT

MATERIAL	Nylon Fabric
COLOUR	Green

NFT/NFB offers low friction for accumulation as well as low noise benefits and is usually applied coextrusion on base belts.



## SUPERGRIP PETROL

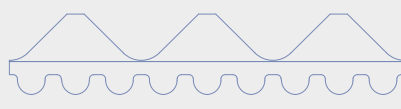
MATERIAL	PVC
COLOUR	Petrol Green

High CoF, applicable for slight height compensation, low shock absorption capabilities. Improved adhesion even in case of moisture and dirt.

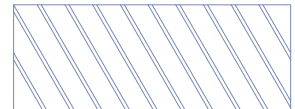
Slots with Holes



Profiles Ground in Cover



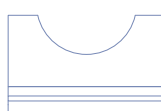
Diagonal Grooves



Lug Grind



Convex Grind

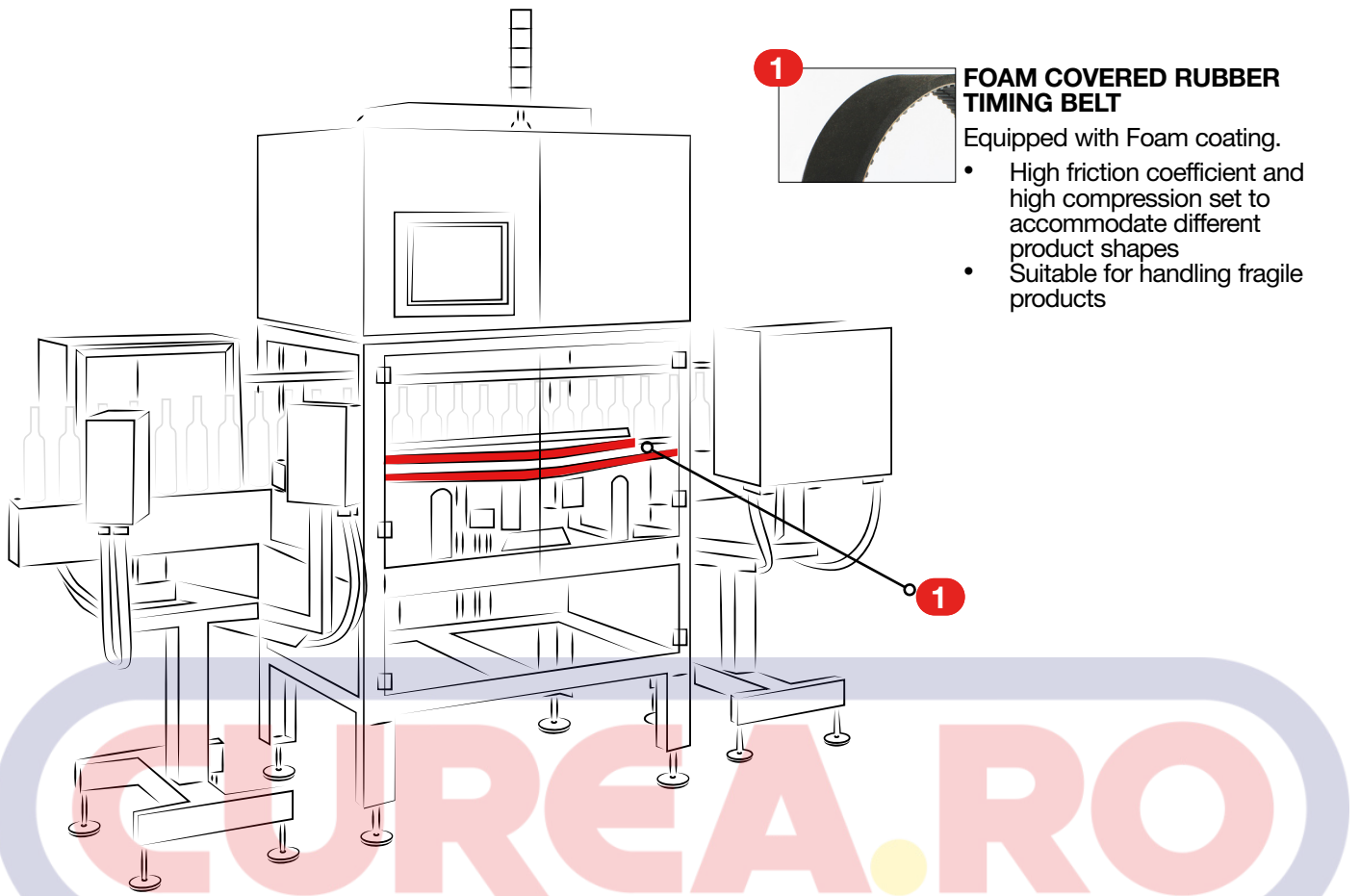


Countersinks with Holes



# Inspection Machine

The foam coated belts allow to accommodate different bottle shapes and dimensions, leading to a faster, more flexible and functional production. Moreover, the friction of the rubber foam ensures a perfect grip to hold bottle in position, for a perfect and precise scan by the vision system.



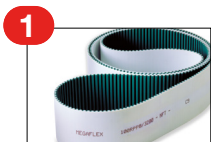
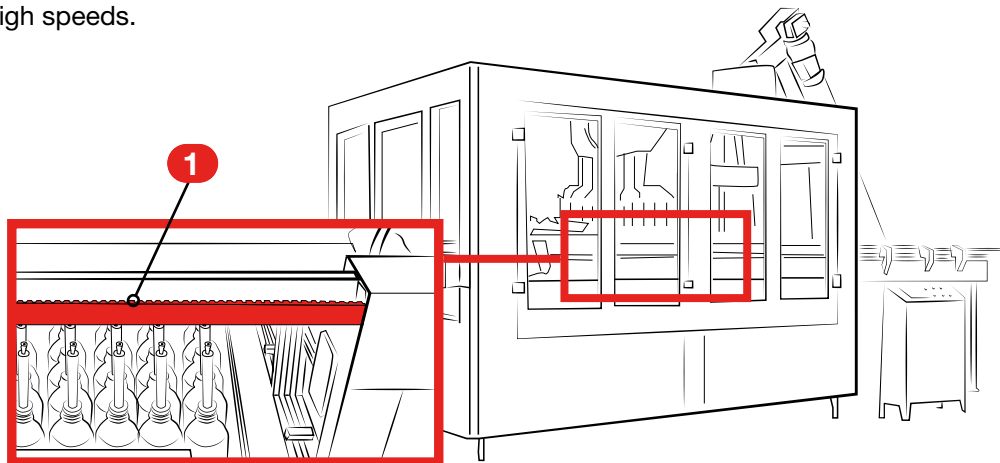
## 1 FOAM COVERED RUBBER TIMING BELT

Equipped with Foam coating.

- High friction coefficient and high compression set to accommodate different product shapes
- Suitable for handling fragile products

# Filling Lines

Megalinear and Megaflex belts used for bi-directional dispensing head positioning ensure precise and smooth movement at high speeds.



## 1 POLYURETHANE TIMING BELTS

Thermoplastic PU belts, supplied as open length rolls or as endless joined belts; available in various tooth designs and grades of steel cord

- High positioning precision suitable for linear movement and lifting systems

# Capping

Feed belts with the right amount of friction and cushioning to move, hold and cap bottles.

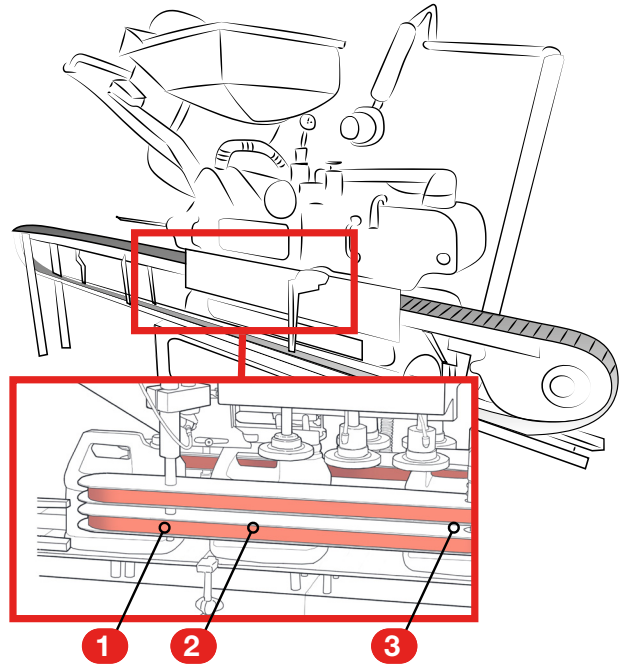
- 1** **SPECIAL POLYURETHANE TIMING BELTS**
  - Equipped with Silicone coated foam
  - High friction
  - Non-marking
- 2** **DRY BACK V-BELT**

Wrapped V-Belt with non-marking wrapped fabric

  - High resistance to oil and steam
  - Non-marking
- 3** **SPECIAL RUBBER FLAT BELTS**

Truly endless flat rubber moulded belts equipped by special covers

  - Non-marking with high friction cover
  - Smooth running and length stability



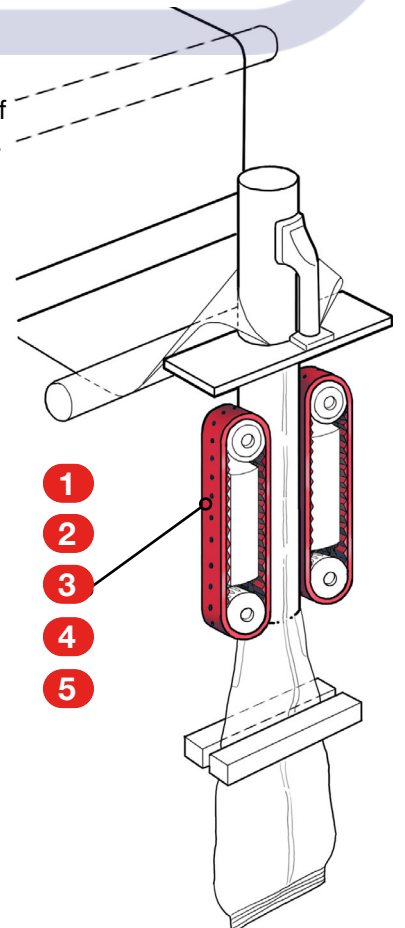
# Vertical Form Fill & Seal

Synchronous belts with moulded covers provide the right friction and wear resistance to get the job done. With the vast number of film and media types used today to create bags, the right choice of non-glazing cover can make the difference between efficient and non-efficient bag handling and filling. Modifications such as holes, slots and grooves for vacuum can be added to meet your specific application requirements.

## SPECIAL REWORKED BELTS

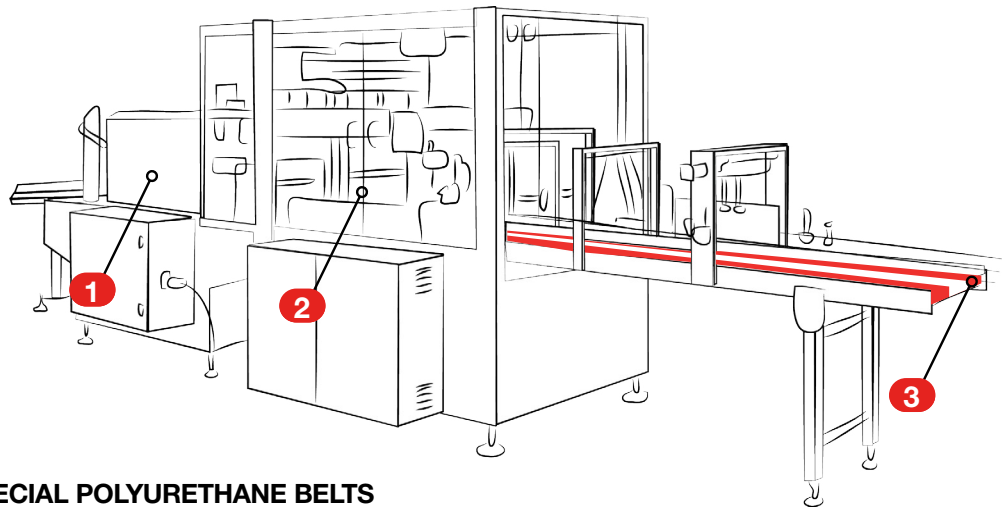
Truly endless moulded belts polyurethane or rubber based. Wide range of different materials, to ensure the best performances and the best match to the varied grades of film used. Grinded tooth and holes to ensure the best vacuum and grip performances.

- 1** VFFS belts with sprayed PU foam cover
- 2** VFFS belts with Silicone
- 3** VFFS belts with anti-glaze cover
- 4** VFFS belts with rubber coating and vacuum holes and slots
- 5** VFFS belts with dual durometer polyurethane



# Case Erecting and Case & Tray Packaging

After boxes are formed, the product is inserted into cases or trays. To get a precise and optimal box filling are needed belts that offer features like high friction, non-slip covers and cleats for sortation and accurate product placement.



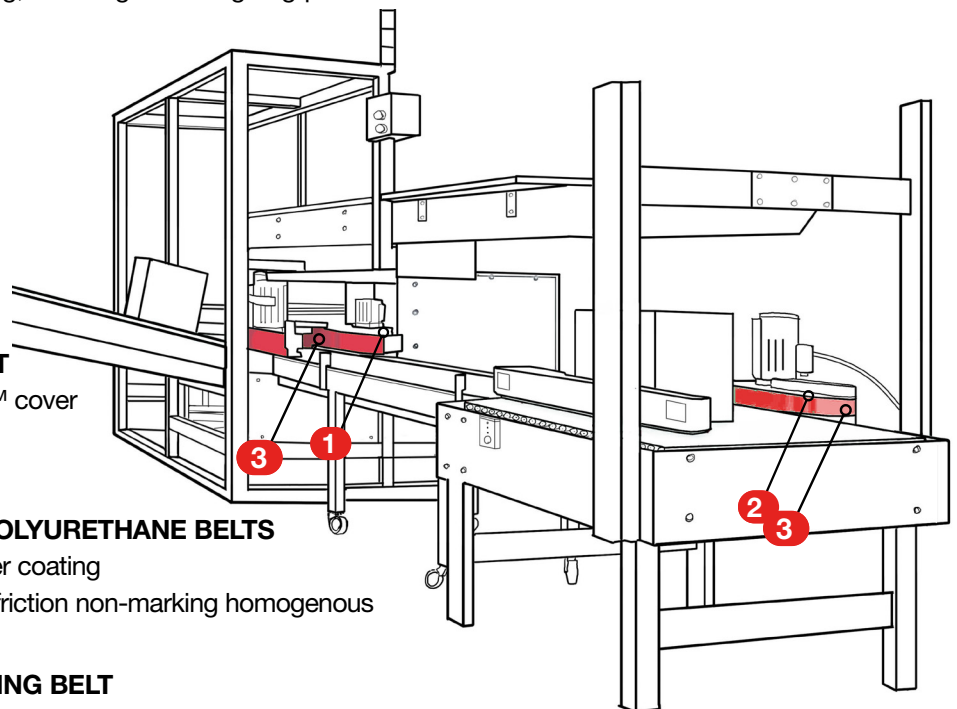
- 1** **SPECIAL POLYURETHANE BELTS**  
Polyurethane moulded/laminated or joined belts with backing materials according to application demands.
- Non-marking
  - High friction even in high-speed conveying

- 2** **SPECIAL POLYURETHANE BELTS**  
Polyurethane timing belt with welded cleats
- High frequency welding for maximum precision and adhesion
  - Possibility to have cleat profile according to customer's drawing to match the package shape

- 3** **SPECIAL RUBBER BELTS**  
Rubber Timing belts made of high-quality rubber compounds, and high performance tension members.
- Supplied with high friction non-marking homogenous cover

# Boxing and Wrapping Equipment

After products are packed in cartons or trays, they are then inserted into boxes. During this process, belts are used to guide and support the box through sealing, labelling and weighing processes.



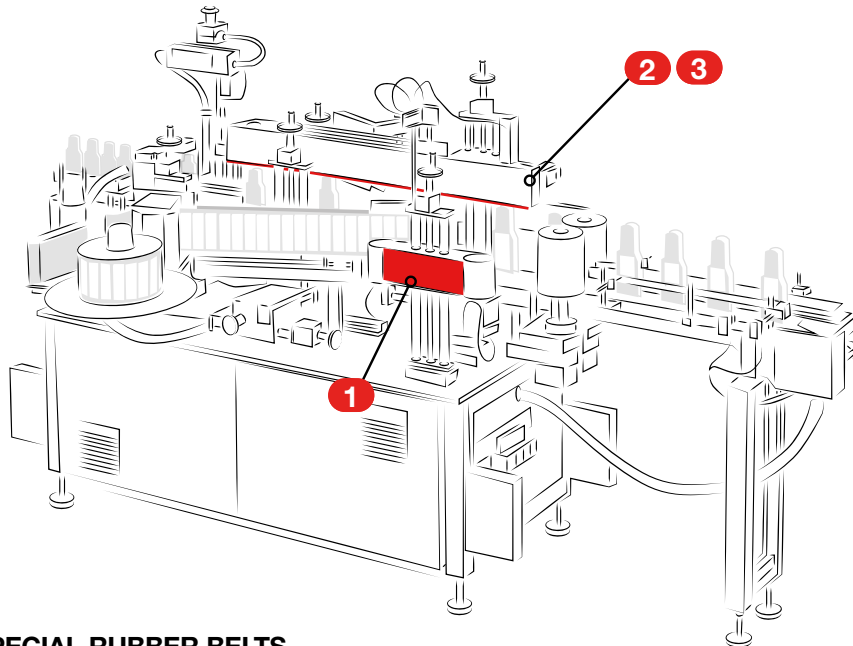
- 1** **SPECIAL POLYURETHANE BELT**  
Supplied with DuraTaq™ cover
- High friction
  - Low wear

- 2** **SPECIAL ENDLESS POLYURETHANE BELTS**  
Special Belts with rubber coating
- Supplied with high friction non-marking homogenous cover

- 3** **FOAM COVERED TIMING BELT**  
Equipped with with Foam coating
- Suitable for handling fragile products

# Labeling Machine

The variety of coatings we offer ensures the perfect label application. Label will be applied on package in the perfect spot with high and precise repeatability, avoiding marks, bubbles or creases.



- 1** **SPECIAL RUBBER BELTS**  
Rubber Timing belts made of high-quality rubber compounds, and high performance tension members.
- Supplied with high friction non-marking homogenous cover

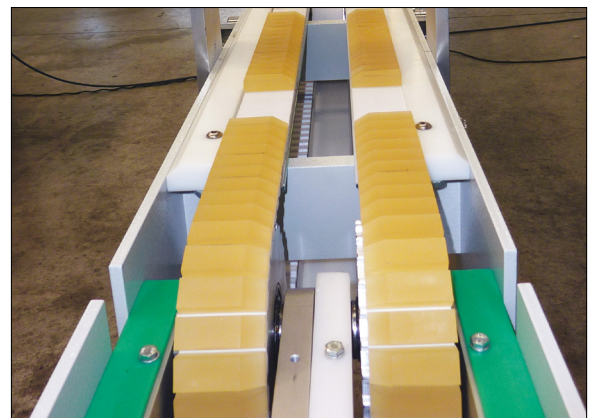
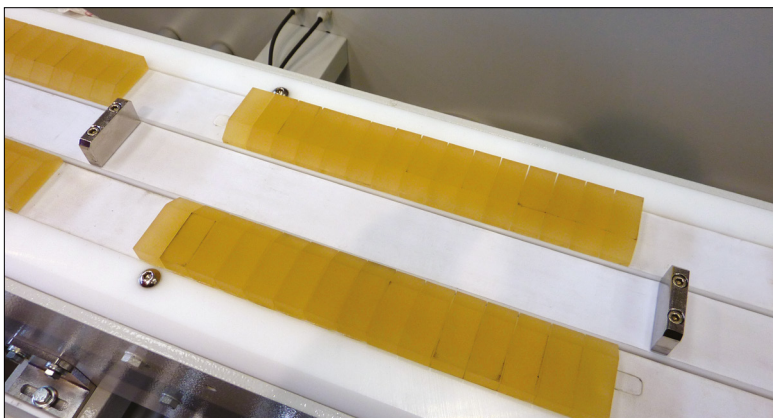
- 2** **FOAM COVERED TIMING BELT**  
Equipped with with Foam coating
- High friction coefficient and high compression set to accommodate different product shape
  - Suitable for handling fragile products

- 3** **SPECIAL POLYURETHANE BELTS**  
Polyurethane moulded/laminated or joined belts with backing materials according to application demands.
- Non-marking
  - High friction even in high-speed conveying

## Case Study

**Application:** Food Packaging  
**Previous belt:** Non-Synchronous flat conveyor belt  
**Previous drive problems:** Belt slippage, lack of synchronization, expensive downtime and high cost of spare parts.

**Solution:** Megalinear Timing Belt with FDA Cleat: Megalinear timing belt for synchronization joined with PPJ joint system for fast and easy belt replacement and weld on cleats for product separation.



**AUSTRALIA****Victoria**

Phone +61 (03) 8780 6030  
 au-ptsales@ammega.com

**BRASIL****Sorocaba**

Phone +55 15 2101 7700  
 Info.br@megadynegroup.com

**CANADA****Edmonton**

Phone +1 780 461 4400  
 Info.ca@megadynegroup.com

**Montreal**

Phone +1 514 695 1313  
 Info.ca@megadynegroup.com

**Toronto**

Phone +1 905 602 4400  
 Info.ca@megadynegroup.com

**CHINA****Foshan**

Phone +86 757 8381 5530  
 info.cn@megadynegroup.com

**Ningbo\***

Phone +86 574 8650 5008  
 info.cn@megadynegroup.com

Phone +86 574 8833 4378  
 sales@challengept.com

**Qingdao\***

Phone +86 532 8658 0951  
 info.cn@megadynegroup.com

**Shanghai**

Phone +86 21 5447 1473  
 info.cn@megadynegroup.com

**COLOMBIA****Bogotá**

Phone + 57 601 390 4325  
 Info.co@megadynegroup.com

**Cartagena**

Phone + 57 605 693 2591  
 Info.co@megadynegroup.com

**Mosquera – Cundinamarca**

Phone +57 601 893 9890  
 info.co@megadynegroup.com

**Cali**

Phone +57 602 387 5945  
 info.co@megadynegroup.com

**CZECH REPUBLIC****Prague**

Phone +420 603 461 892  
 Info.cz@megadynegroup.com

**FRANCE****Paris**

Phone +33 1 6079 8200  
 info.fr@megadynegroup.com

**GERMANY****Borchen**

Phone +49 5251 8735 0  
 info.de@megadynegroup.com

**HUNGARY****Budapest**

Phone +36 23 428 628  
 info.hu@megadynegroup.com

**INDIA****Chennai\***

Phone +91 98841 81175  
 info.in@megadynegroup.com

**IRELAND****Dublin**

Phone +353 1 456 6311  
 ireland@challengept.com

**ISRAEL****Caesarea**

Phone +972 4 637 1485  
 info.il@megadynegroup.com

**ITALY****Turin\***

Phone +39 011 926 8052  
 info@megadynegroup.com

**Pescara\***

Phone +39 085 9700547  
 info.it@megadynegroup.com

**Venice**

Phone +39 041 929 367  
 info.it@megadynegroup.com

**JAPAN****Nagoya**

Phone +81 52 433 7400  
 info.jp@megadynegroup.com

**MALAYSIA**

Phone +60 380 618 849  
 info.my@megadynegroup.com

**MEXICO****Mexico**

Phone +52 55 5587 3685  
 info.mx@megadynegroup.com

**PERU****Lima**

Phone + 51 1 713 0069  
 info.pe@megadynegroup.com

**POLAND****Bielsko Biala**

Phone + 48 32 447 7179  
 info.pl@megadynegroup.com

**Bydgoszcz\***

info.pl@megadynegroup.com

**SINGAPORE****Singapore**

Phone +65 62739767  
 Info.sg@megadynegroup.com

**SOUTH AFRICA****Johannesburg**

Phone + 27 (0) 12 661 1652  
 info.za@megadynegroup.com

Phone + 27 (0) 11 3976115  
 sasales@challengept.com

**Cape Town**

Phone +27 (0)21 9820772  
 info.za@megadynegroup.com

**SOUTH KOREA****Gyeonggi-do**

Phone +82 314483613-7  
 Info.kr@megadynegroup.com

**SPAIN****Vilanova\***

Phone +34 93 811 5450  
 info.es@megadynegroup.com

**SWEDEN****Kristianstad**

Phone +46 10 1309600  
 info.se@megadynegroup.com

**THAILAND****Bangkok**

Phone +66 2 902260413  
 info.th@megadynegroup.com

**TURKEY****Izmir**

Phone +90 232 877 07 00  
 info.tr@megadynegroup.com

**U.K.****Birmingham**

Phone +44 1384 215 021  
 info.uk@megadynegroup.com

**Wolverhampton**

Phone +44 (0) 1902 866116  
 uksales@challengept.com

**VIETNAM**

Phone +84 28 3765 6205  
 info.vn@megadynegroup.com

**U.S.A****California**

Phone +1 323 265 8061  
 info.us@megadynegroup.com

**Florida**

Phone +1 813 241 4111  
 info.us@megadynegroup.com

**Georgia\***

info.us@megadynegroup.com

**Illinois**

Phone +1 630 752 0600  
 info.us@megadynegroup.com

**New Jersey Americas HQ**

Phone +1 973 227 4904  
 info.us@megadynegroup.com

**North Carolina\***

Phone +1 704 583 5388  
 info.us@megadynegroup.com

**Oregon**

Phone +1 503 231 7224  
 info.us@megadynegroup.com

**Texas**

Phone +1 972 438 6992  
 info.us@megadynegroup.com

**\* Manufacturing locations****GENERAL CONTACT INFORMATION****MEGADYNE**

Via S. Lucia, 114  
 10075 Mathi (Torino)

Phone +39 011 926 8052  
 info@megadynegroup.com

ammega.com

