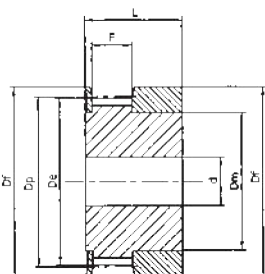


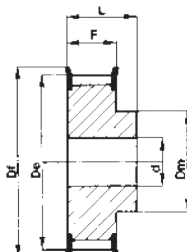


## **PULEGGE DENTATE PER CINGHIE HTD®**

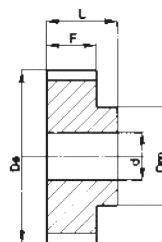
Timing belt pulleys HTD®  
HTD® Zahnriemenscheiben  
Poulies dentées HTD®  
Poleas para correas dentadas HTD®



Tipo / Type  
1F



Tipo / Type  
6F



Tipo / Type  
6

### HTD® 3M-06

Caratteristiche Features Merkmale Características	Codice Code symbol Bezeichnung Code symbole Numero de fabrica	Nostro codice Our code Unser Code Notre code Nuestro codigo	Tipo Type Typ Type Tipo	Codice flangia Flange code Bordscheiben Typ Code flasque Codigo brida	N. denti N. of teeth Zähnezahl N. bre de dents Cantidad de dientes	Dp	De	Df	Dm	F	L	Foro stock Stock bore Vor bohrung Alesage en stock Agujero de stock	Peso Weight / Gewicht Poids / Peso Kg
con flangia / with flanges mit Flanges / avec flasques con tapetas	10 3M 06	03M0610	1F	FL501	10	9,55	8,79	13,0	6,0	7,2	14,5	4	
	12 3M 06	03M0612	1F	FL502	12	11,46	10,70	15,0	8,0	7,2	14,5	4	
	14 3M 06	03M0614	1F	FL503	14	13,37	12,61	16,0	9,5	7,2	14,5	4	
	153M 06	03M0615	1F	FL516	15	14,32	13,56	17,5	10,5	7,2	14,5	4	
	16 3M 06	03M0616	6F	FL504	16	15,28	14,52	17,5	10,0	9,8	17,5	4	
	18 3M 06	03M0618	6F	FL505	18	17,19	16,43	20,0	11,0	9,8	17,5	6	
	20 3M 06	03M0620	6F	FL517	20	19,10	18,34	23,0	13,0	9,8	17,5	6	
	21 3M 06	03M0621	6F	FL518	21	20,05	19,29	25,0	13,0	9,8	17,5	6	
	22 3M 06	03M0622	6F	FL518	22	21,01	20,25	25,0	13,0	9,8	17,5	6	
	24 3M 06	03M0624	6F	FL518	24	22,92	22,16	25,0	13,0	9,8	17,5	6	
	26 3M 06	03M0626	6F	FL508	26	24,83	24,07	28,0	16,0	9,8	17,5	6	
	28 3M 06	03M0628	6F	FL509	28	26,74	25,98	32,0	18,0	9,8	17,5	6	
	30 3M 06	03M0630	6F	FL509	30	28,65	27,89	32,0	20,0	9,8	17,5	6	
	32 3M 06	03M0632	6F	FL510	32	30,56	29,80	36,0	22,0	9,8	17,5	6	
36 3M 06	03M0636	6F	FL519	36	34,38	33,62	39,0	26,0	10,3	18,0	6		
40 3M 06	03M0640	6F	FL513	40	38,20	37,44	42,0	28,0	10,3	18,0	6		
44 3M 06	03M0644	6F	FL520	44	42,02	41,26	48,0	33,0	10,3	18,0	6		
senza flangia / without flanges ohne Flanschen / sans flasques sin tapetas	48 3M 06	03M0648	6	-	48	45,84	45,08	-	33,0	10,3	18,6	8	
	60 3M 06	03M0660	6	-	60	57,30	56,54	-	33,0	10,3	18,6	8	
	72 3M 06	03M0672	6	-	72	68,75	67,99	-	33,0	10,3	18,6	8	

**Pulegge dentate per cinghie HTD® / Timing belt pulleys HTD®**  
**HTD® Zahnriemenscheiben / Poulies dentées HTD®**  
**Poleas para correas dentadas HTD®**

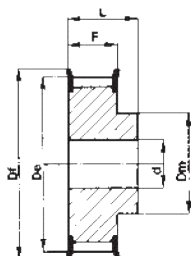


**HTD® 3M-09**

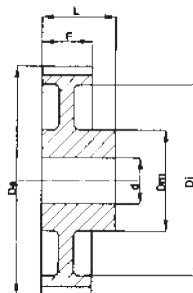
Caratteristiche Features Merkmale Características	Codice Code symbol Bezeichnung Code symbole Numero de fabrica	Nostro codice Our code Unser Code Notre code Nuestro codigo	Tipo Type Typ Type Tipo	Codice flangia Flange code Bordscheiben Typ Code flasque Código brida	N. denti N. of teeth Zähnezahl N. bre de dents Cantidad de dientes	Dp	De	Df	Dm	F	L	Foro stock Stock bore Vor bohrung Alesage en stock Agujero de stock	Peso Weight / Gewicht Poids / Peso Kg
Alluminio / Aluminium / Aluminium / Aluminium / Aluminio 6082 T6 UNI 9006/4 con flangia / with flanges mit Flanges / avec flasques con tapetas	<b>10 3M 09</b>	<b>03M0910</b>	1F	FL501	10	9,55	8,79	13,0	6,0	10,2	17,5	4	0,004
	<b>12 3M 09</b>	<b>03M0912</b>	1F	FL502	12	11,46	10,70	15,0	8,0	10,2	17,5	4	0,006
	<b>14 3M 09</b>	<b>03M0914</b>	1F	FL503	14	13,37	12,61	16,0	9,5	10,2	17,5	4	0,007
	<b>15 3M 09</b>	<b>03M0915</b>	1F	FL516	15	14,32	13,56	17,5	10,5	10,2	17,5	4	0,008
	<b>16 3M 09</b>	<b>03M0916</b>	6F	FL504	16	15,28	14,52	17,5	10,0	12,8	20,6	4	0,007
	<b>18 3M 09</b>	<b>03M0918</b>	6F	FL505	18	17,19	16,43	20,0	10,6	12,8	20,6	6	0,008
	<b>20 3M 09</b>	<b>03M0920</b>	6F	FL517	20	19,10	18,34	23,0	12,4	12,8	20,6	6	0,010
	<b>21 3M 09</b>	<b>03M0921</b>	6F	FL518	21	20,05	19,29	25,0	13,0	12,8	20,6	6	0,013
	<b>22 3M 09</b>	<b>03M0922</b>	6F	FL518	22	21,01	20,25	25,0	13,0	12,8	20,6	6	0,014
	<b>24 3M 09</b>	<b>03M0924</b>	6F	FL518	24	22,92	22,16	25,0	13,0	12,8	20,6	6	0,016
	<b>26 3M 09</b>	<b>03M0926</b>	6F	FL508	26	24,83	24,07	28,0	16,0	12,8	20,6	6	0,018
	<b>28 3M 09</b>	<b>03M0928</b>	6F	FL509	28	26,74	25,98	32,0	18,0	12,8	20,6	6	0,024
	<b>30 3M 09</b>	<b>03M0930</b>	6F	FL509	30	28,65	27,89	32,0	20,0	12,8	20,6	6	0,028
	<b>32 3M 09</b>	<b>03M0932</b>	6F	FL510	32	30,56	29,80	36,0	22,0	12,8	20,6	6	0,032
	<b>36 3M 09</b>	<b>03M0936</b>	6F	FL519	36	34,38	33,62	39,0	26,0	13,4	22,2	6	0,045
	<b>40 3M 09</b>	<b>03M0940</b>	6F	FL513	40	38,20	37,44	42,0	28,0	13,4	22,2	6	0,055
	<b>44 3M 09</b>	<b>03M0944</b>	6F	FL520	44	42,02	41,26	48,0	33,0	13,4	22,2	6	0,074
senza flangia / without flanges / ohne Flanschen sans flasques / sin tapetas	<b>48 3M 09</b>	<b>03M0948</b>	6		48	45,84	45,08	-	33,0	13,4	22,2	8	0,074
	<b>60 3M 09</b>	<b>03M0960</b>	6		60	57,30	56,54	-	33,0	13,4	22,2	8	0,106
	<b>72 3M 09</b>	<b>03M0972</b>	6		72	68,75	67,99	-	33,0	13,4	22,2	8	0,145

**HTD® 3M-15**

Caratteristiche Features Merkmale Características	Codice Code symbol Bezeichnung Code symbole Numero de fabrica	Nostro codice Our code Unser Code Notre code Nuestro codigo	Tipo Type Typ Type Tipo	Codice flangia Flange code Bordscheiben Typ Code flasque Código brida	N. denti N. of teeth Zähnezahl N. bre de dents Cantidad de dientes	Dp	De	Df	Dm	F	L	Foro stock Stock bore Vor bohrung Alesage en stock Agujero de stock	Peso Weight / Gewicht Poids / Peso Kg
Alluminio / Aluminium / Aluminium / Aluminium / Aluminio 6082 T6 UNI 9006/4 con flangia / with flanges mit Flanges / avec flasques con tapetas	<b>10 3M 15</b>	<b>03M1510</b>	1F	FL501	10	9,55	8,79	13,0	6,0	17,0	26,0	4	0,006
	<b>12 3M 15</b>	<b>03M1512</b>	1F	FL502	12	11,46	10,70	15,0	8,0	17,0	26,0	4	0,008
	<b>14 3M 15</b>	<b>03M1514</b>	1F	FL503	14	13,37	12,61	16,0	9,5	17,0	26,0	4	0,010
	<b>15 3M 15</b>	<b>03M1515</b>	1F	FL516	15	14,32	13,56	17,5	10,5	17,0	26,0	4	0,012
	<b>16 3M 15</b>	<b>03M1516</b>	6F	FL504	16	15,28	14,52	17,5	10,0	19,5	26,0	4	0,010
	<b>18 3M 15</b>	<b>03M1518</b>	6F	FL505	18	17,19	16,43	20,0	10,6	19,5	26,0	6	0,012
	<b>20 3M 15</b>	<b>03M1520</b>	6F	FL517	20	19,10	18,34	23,0	12,4	19,5	26,0	6	0,014
	<b>21 3M 15</b>	<b>03M1521</b>	6F	FL518	21	20,05	19,29	25,0	13,0	19,5	26,0	6	0,016
	<b>22 3M 15</b>	<b>03M1522</b>	6F	FL518	22	21,01	20,25	25,0	13,0	19,5	26,0	6	0,018
	<b>24 3M 15</b>	<b>03M1524</b>	6F	FL518	24	22,92	22,16	25,0	13,0	19,5	26,0	6	0,020
	<b>26 3M 15</b>	<b>03M1526</b>	6F	FL508	26	24,83	24,07	28,0	16,0	19,5	26,0	6	0,027
	<b>28 3M 15</b>	<b>03M1528</b>	6F	FL509	28	26,74	25,98	32,0	18,0	19,5	26,0	6	0,030
	<b>30 3M 15</b>	<b>03M1530</b>	6F	FL509	30	28,65	27,89	32,0	20,0	19,5	26,0	6	0,035
	<b>32 3M 15</b>	<b>03M1532</b>	6F	FL510	32	30,56	29,80	36,0	22,0	19,5	26,0	6	0,042
	<b>36 3M 15</b>	<b>03M1536</b>	6F	FL519	36	34,38	33,62	39,0	26,0	20,0	30,0	6	0,060
	<b>40 3M 15</b>	<b>03M1540</b>	6F	FL513	40	38,20	37,44	42,0	28,0	20,0	30,0	6	0,075
	<b>44 3M 15</b>	<b>03M1544</b>	6F	FL520	44	42,02	41,26	48,0	33,0	20,0	30,0	6	0,095
senza flangia / without flanges / ohne Flanschen sans flasques / sin tapetas	<b>48 3M 15</b>	<b>03M1548</b>	6	-	48	45,84	45,08	-	33,0	20,0	30,0	8	0,103
	<b>60 3M 15</b>	<b>03M1560</b>	6	-	60	57,30	56,54	-	33,0	20,0	30,0	8	0,150
	<b>72 3M 15</b>	<b>03M1572</b>	6	-	72	68,75	67,99	-	33,0	20,0	30,0	8	0,212



Tipo / Type  
6F



Tipo / Type  
6W



### HTD® 5M-09

Caratteristiche Features Merkmale Características	Codice Code symbol Bezeichnung Code symbole Numero de fabrica	Nostro codice Our code Notre code Nuestro codigo	Tipo Type Typ Type Tipo	Codice flangia Flange code Bordscheiben Typ Code flasque Código brida	N. denti N. of teeth Zähnezahl N. bre de dents Cantidad de dientes	Dp	De	Df	Dm	Di	F	L	Foro stock Stock bore Vor bohrung Alesage en stock Agujero de stock	Peso Weight / Gewicht Poids / Peso Kg
Acciaio / Steel / Stahl Acier / Acero  con flangia / with flanges mit Flanges / avec flasques con tapetas	<b>12 5M 09</b>	<b>05M0912</b>	6F	FL014	12	19,10	17,96	23,0	12,0	-	14,5	20,0	4	0,028
	<b>14 5M 09</b>	<b>05M0914</b>	6F	FL002	14	22,28	21,14	25,0	13,0	-	14,5	20,0	6	0,034
	<b>15 5M 09</b>	<b>05M0915</b>	6F	FL004	15	23,87	22,73	28,0	16,0	-	14,5	20,0	6	0,042
	<b>16 5M 09</b>	<b>05M0916</b>	6F	FL004	16	25,46	24,32	28,0	16,5	-	14,5	20,0	6	0,050
	<b>18 5M 09</b>	<b>05M0918</b>	6F	FL006	18	28,65	27,51	32,0	20,0	-	14,5	20,0	6	0,070
	<b>20 5M 09</b>	<b>05M0920</b>	6F	FL008	20	31,83	30,69	36,0	23,0	-	14,5	22,5	6	0,094
	<b>21 5M 09</b>	<b>05M0921</b>	6F	FL009	21	33,42	32,28	38,0	24,0	-	14,5	22,5	6	0,110
	<b>22 5M 09</b>	<b>05M0922</b>	6F	FL015	22	35,01	33,87	39,0	25,5	-	14,5	22,5	6	0,118
	<b>24 5M 09</b>	<b>05M0924</b>	6F	FL013	24	38,20	37,06	42,0	27,0	-	14,5	22,5	6	0,145
	<b>26 5M 09</b>	<b>05M0926</b>	6F	FL012	26	41,38	40,24	44,0	30,0	-	14,5	22,5	6	0,170
	<b>28 5M 09</b>	<b>05M0928</b>	6F	FL011	28	44,56	43,42	48,0	30,5	-	14,5	22,5	6	0,200
	<b>30 5M 09</b>	<b>05M0930</b>	6F	FL016	30	47,75	46,60	51,0	35,0	-	14,5	22,5	6	0,236
	<b>32 5M 09</b>	<b>05M0932</b>	6F	FL018	32	50,93	49,79	54,0	38,0	-	14,5	22,5	8	0,210
	<b>36 5M 09</b>	<b>05M0936</b>	6F	FL021	36	57,30	56,16	60,0	38,0	-	14,5	22,5	8	0,324
<b>40 5M 09</b>	<b>05M0940</b>	6F	FL025	40	63,66	62,52	71,0	38,0	-	14,5	22,5	8	0,400	
Alluminio / Aluminium Aluminium / Aluminium Aluminio  senza flangia / without flanges / ohne Flanschen sans flasques / sin tapetas	<b>44 5M 09</b>	<b>05M0944</b>	6W	-	44	70,03	68,89	-	38,0	54	14,5	25,5	8	0,170
	<b>48 5M 09</b>	<b>05M0948</b>	6W	-	48	76,39	75,25	-	45,0	61	14,5	25,5	8	0,182
	<b>60 5M 09</b>	<b>05M0960</b>	6W	-	60	95,46	94,35	-	45,0	80	14,5	25,5	8	0,230
	<b>72 5M 09</b>	<b>05M0972</b>	6W	-	72	114,59	113,45	-	45,0	100	14,5	25,5	8	0,270

**Pulegge dentate per cinghie HTD® / Timing belt pulleys HTD®**  
**HTD® Zahnriemenscheiben / Poulies dentées HTD®**  
**Poleas para correas dentadas HTD®**

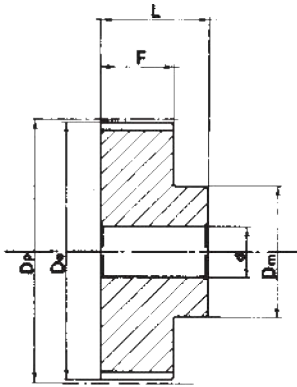


**HTD® 5M-15**

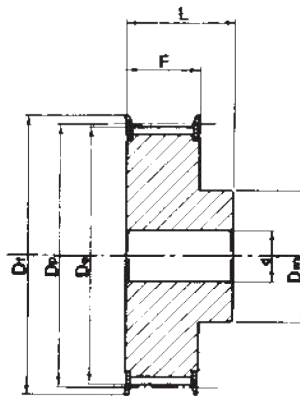
Caratteristiche Features Merkmale Características	Codice Code symbol Bezeichnung Code symbole Numero de fabrica	Nostro codice Our code Unser Code Notre code Nuestro codigo	Tipo Type Typ Type Tipo	Codice flangia Flange code Bordscheiben Typ Code flasque Código brida	N. denti N. of teeth Zähnezahl N. bre de dents Cantidad de dientes	Dp	De	Df	Dm	Di	F	L	Foro stock Stock bore Vor bohrung Alesage en stock Agujero de stock	Peso Weight / Gewicht Poids / Peso Kg
Acciaio / Steel / Stahl Acier / Acero  con flangia / with flanges mit Flanges / avec flasques con tapetas	<b>12 5M 15</b>	<b>05M1512</b>	6F	FL014	12	19,10	17,96	23,0	12,0	-	20,5	26,0	4	0,034
	<b>14 5M 15</b>	<b>05M1514</b>	6F	FL002	14	22,28	21,14	25,0	13,0	-	20,5	26,0	6	0,046
	<b>15 5M 15</b>	<b>05M1515</b>	6F	FL004	15	23,87	22,73	28,0	16,0	-	20,5	26,0	6	0,056
	<b>16 5M 15</b>	<b>05M1516</b>	6F	FL004	16	25,46	24,32	28,0	16,5	-	20,5	26,0	6	0,064
	<b>18 5M 15</b>	<b>05M1518</b>	6F	FL006	18	28,65	27,51	32,0	20,0	-	20,5	26,0	6	0,086
	<b>20 5M 15</b>	<b>05M1520</b>	6F	FL008	20	31,83	30,69	36,0	23,0	-	20,5	26,0	6	0,112
	<b>21 5M 15</b>	<b>05M1521</b>	6F	FL009	21	33,42	32,28	38,0	24,0	-	20,5	26,0	6	0,130
	<b>22 5M 15</b>	<b>05M1522</b>	6F	FL015	22	35,01	33,87	39,0	25,5	-	20,5	26,0	6	0,140
	<b>24 5M 15</b>	<b>05M1524</b>	6F	FL013	24	38,20	37,06	42,0	27,0	-	20,5	28,0	6	0,180
	<b>26 5M 15</b>	<b>05M1526</b>	6F	FL012	26	41,38	40,24	44,0	30,0	-	20,5	28,0	6	0,220
	<b>28 5M 15</b>	<b>05M1528</b>	6F	FL011	28	44,56	43,42	48,0	30,5	-	20,5	28,0	6	0,250
	<b>30 5M 15</b>	<b>05M1530</b>	6F	FL016	30	47,75	46,60	51,0	35,0	-	20,5	28,0	6	0,300
	<b>32 5M 15</b>	<b>05M1532</b>	6F	FL018	32	50,93	49,79	54,0	38,0	-	20,5	28,0	8	0,350
	<b>36 5M 15</b>	<b>05M1536</b>	6F	FL021	36	57,30	56,16	60,0	38,0	-	20,5	28,0	8	0,426
<b>40 5M 15</b>	<b>05M1540</b>	6F	FL025	40	63,66	62,52	71,0	38,0	-	20,5	28,0	8	0,520	
Alluminio / Aluminium Aluminium / Aluminium Aluminio  senza flangia / without flanges / ohne Flanschen sans flasques / sin tapetas	<b>44 5M 15</b>	<b>05M1544</b>	6W	-	44	70,03	68,89	-	38,0	54	20,5	30,0	8	0,225
	<b>48 5M 15</b>	<b>05M1548</b>	6W	-	48	76,39	75,25	-	45,0	61	20,5	30,0	8	0,187
	<b>60 5M 15</b>	<b>05M1560</b>	6W	-	60	95,46	94,35	-	45,0	80	20,5	30,0	8	0,305
	<b>72 5M 15</b>	<b>05M1572</b>	6W	-	72	114,59	113,45	-	45,0	100	20,5	30,0	8	0,305

**HTD® 5M-25**

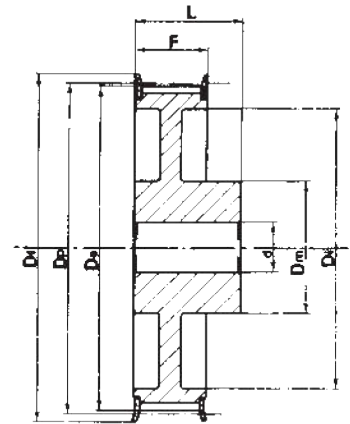
Caratteristiche Features Merkmale Características	Codice Code symbol Bezeichnung Code symbole Numero de fabrica	Nostro codice Our code Unser Code Notre code Nuestro codigo	Tipo Type Typ Type Tipo	Codice flangia Flange code Bordscheiben Typ Code flasque Código brida	N. denti N. of teeth Zähnezahl N. bre de dents Cantidad de dientes	Dp	De	Df	Dm	Di	F	L	Foro stock Stock bore Vor bohrung Alesage en stock Agujero de stock	Peso Weight / Gewicht Poids / Peso Kg
Acciaio / Steel / Stahl Acier / Acero  con flangia / with flanges mit Flanges / avec flasques con tapetas	<b>12 5M 25</b>	<b>05M2512</b>	6F	FL014	12	19,10	17,96	23,0	12,0	-	30,5	36,0	4	0,050
	<b>14 5M 25</b>	<b>05M2514</b>	6F	FL002	14	22,28	21,14	25,0	13,0	-	30,5	36,0	6	0,070
	<b>15 5M 25</b>	<b>05M2515</b>	6F	FL004	15	23,87	22,73	28,0	16,0	-	30,5	36,0	6	0,080
	<b>16 5M 25</b>	<b>05M2516</b>	6F	FL004	16	25,46	24,32	28,0	16,5	-	30,5	36,0	6	0,100
	<b>18 5M 25</b>	<b>05M2518</b>	6F	FL006	18	28,65	27,51	32,0	20,0	-	30,5	36,0	6	0,120
	<b>20 5M 25</b>	<b>05M2520</b>	6F	FL008	20	31,83	30,69	36,0	23,0	-	30,5	36,0	6	0,160
	<b>21 5M 25</b>	<b>05M2521</b>	6F	FL009	21	33,42	32,28	38,0	24,0	-	30,5	38,5	6	0,190
	<b>22 5M 25</b>	<b>05M2522</b>	6F	FL015	22	35,01	33,87	39,0	25,5	-	30,5	38,5	6	0,210
	<b>24 5M 25</b>	<b>05M2524</b>	6F	FL013	24	38,20	37,06	42,0	27,0	-	30,5	38,5	6	0,250
	<b>26 5M 25</b>	<b>05M2526</b>	6F	FL012	26	41,38	40,24	44,0	30,0	-	30,5	38,5	6	0,300
	<b>28 5M 25</b>	<b>05M2528</b>	6F	FL011	28	44,56	43,42	48,0	30,5	-	30,5	38,5	6	0,350
	<b>30 5M 25</b>	<b>05M2530</b>	6F	FL016	30	47,75	46,60	51,0	35,0	-	30,5	38,5	6	0,420
	<b>32 5M 25</b>	<b>05M2532</b>	6F	FL018	32	50,93	49,79	54,0	38,0	-	30,5	38,5	8	0,480
	<b>36 5M 25</b>	<b>05M2536</b>	6F	FL021	36	57,30	56,16	60,0	38,0	-	30,5	38,5	8	0,590
<b>40 5M 25</b>	<b>05M2540</b>	6F	FL025	40	63,66	62,52	71,0	38,0	-	30,5	38,5	8	0,740	
Alluminio / Aluminium Aluminium / Aluminium Aluminio  senza flangia / without flanges / ohne Flanschen sans flasques / sin tapetas	<b>44 5M 25</b>	<b>05M2544</b>	6W	-	44	70,03	68,89	-	38,0	54	30,5	40,5	8	0,320
	<b>48 5M 25</b>	<b>05M2548</b>	6W	-	48	76,39	75,25	-	45,0	61	30,5	40,5	8	0,275
	<b>60 5M 25</b>	<b>05M2560</b>	6W	-	60	95,46	94,35	-	45,0	80	30,5	40,5	8	0,435
	<b>72 5M 25</b>	<b>05M2572</b>	6W	-	72	114,59	113,45	-	45,0	100	30,5	40,5	8	0,525



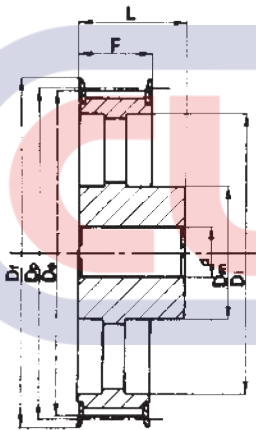
Tipo / Type  
6



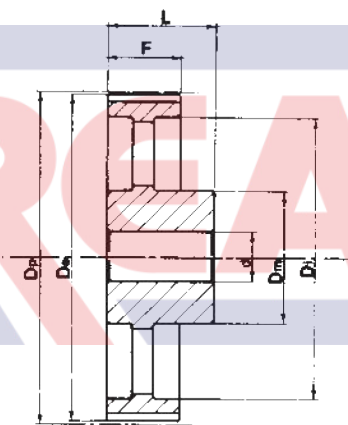
Tipo / Type  
6F



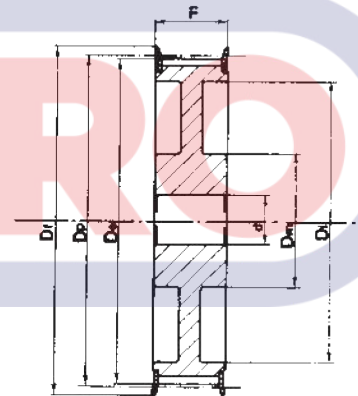
Tipo / Type  
6WF



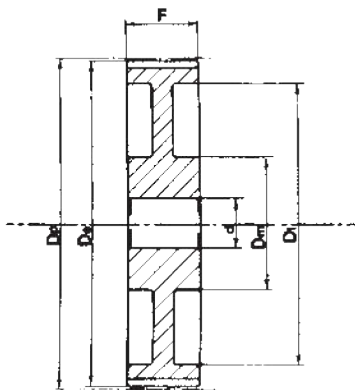
Tipo / Type  
6AF



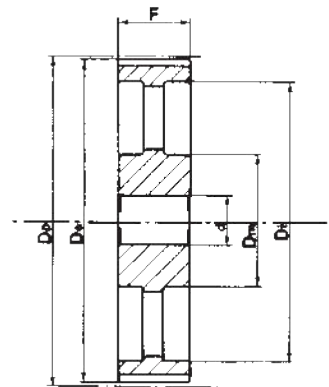
Tipo / Type  
6A



Tipo / Type  
10WF



Tipo / Type  
10W



Tipo / Type  
10A

**Pulgege dentate per cinghie HTD® / Timing belt pulleys HTD®**  
**HTD® Zahnriemenscheiben / Poulies dentées HTD®**  
**Poleas para correas dentadas HTD®**



**HTD® 8M-20**

Caratteristiche Features Merkmal Características	Codice Code symbol Bezeichnung Code symbole Numero de fabrica	Nostro codice Our code Unser Code Notre code Nuestro codigo	Tipo Type Typ Type Tipo	Codice flangia Flange code Bordscheiben Typ Code flasque Código brida	N. denti N. of teeth Zähnezahl N. bre de dents Cantidad de dientes	Dp	De	Df	Dm	Di	F	L	d	Peso Weight / Gewicht Poids / Peso Kg
Acciaio / Steel / Stahl Acier / Acero  con flangia / with flanges mit Flanges / avec flasques con tapetas	<b>22 8M 20</b>	<b>08M2022</b>	6F	FL053	22	56,02	54,65	60,0	43,0	-	28	38	12	0,54
	<b>24 8M 20</b>	<b>08M2024</b>	6F	FL069	24	61,12	59,75	66,0	45,0	-	28	38	12	0,65
	<b>26 8M 20</b>	<b>08M2026</b>	6F	FL061	26	66,21	64,84	70,0	48,0	-	28	38	12	0,80
	<b>28 8M 20</b>	<b>08M2028</b>	6F	FL079	28	71,30	69,93	75,0	50,0	-	28	38	15	0,87
	<b>30 8M 20</b>	<b>08M2030</b>	6F	FL073	30	76,39	75,02	83,0	55,0	-	28	38	15	1,02
	<b>32 8M 20</b>	<b>08M2032</b>	6F	FL076	32	81,49	80,16	87,0	60,0	-	28	38	15	1,20
	<b>34 8M 20</b>	<b>08M2034</b>	6F	FL066	34	86,58	85,22	91,0	70,0	-	28	38	15	1,40
	<b>36 8M 20</b>	<b>08M2036</b>	6F	FL068	36	91,67	90,30	97,0	75,0	-	28	38	15	1,55
	<b>38 8M 20</b>	<b>08M2038</b>	6F	FL070	38	96,77	95,39	102,0	75,0	-	28	38	15	1,65
	<b>40 8M 20</b>	<b>08M2040</b>	6F	FL077	40	101,86	100,49	106,0	75,0	-	28	38	15	1,74
	<b>44 8M 20</b>	<b>08M2044</b>	6F	FL075	44	112,05	110,67	120,0	75,0	-	28	38	15	2,10
	<b>48 8M 20</b>	<b>08M2048</b>	6F	FL078	48	122,23	120,86	128,0	75,0	-	28	38	15	2,44
	<b>56 8M 20</b>	<b>08M2056</b>	6WF	FL085	56	142,60	141,23	150,0	80,0	116	28	38	15	2,60
	<b>64 8M 20</b>	<b>08M2064</b>	6WF	FL090	64	162,97	161,60	168,0	80,0	137	28	38	15	2,90
<b>72 8M 20</b>	<b>08M2072</b>	6WF	FL097	72	183,35	181,97	192,0	80,0	158	28	38	15	3,10	
Ghisa / Cast iron Grauguss / Fonte Hierro fundido  senza flangia / without flanges / ohne Flanschen sans flasques / sin tapetas	<b>80 8M 20</b>	<b>08M2080</b>	6W	-	80	203,72	202,35	-	90,0	180	28	38	15	3,80
	<b>90 8M 20</b>	<b>08M2090</b>	6A	-	90	229,18	227,81	-	90,0	204	28	38	15	4,20
	<b>112 8M 20</b>	<b>08M2011</b>	6A	-	112	285,21	283,83	-	90,0	254	28	38	18	5,20
	<b>144 8M 20</b>	<b>08M2014</b>	6A	-	144	366,69	365,32	-	90,0	336	28	38	20	7,50
	<b>168 8M 20</b>	<b>08M2016</b>	6A	-	168	427,81	426,44	-	100,0	400	28	38	20	10,00
	<b>192 8M 20</b>	<b>08M2019</b>	6A	-	192	488,92	487,55	-	100,0	460	28	38	20	14,40

**HTD® 8M 30**

Caratteristiche Features Merkmal Características	Codice Code symbol Bezeichnung Code symbole Numero de fabrica	Nostro codice Our code Unser Code Notre code Nuestro codigo	Tipo Type Typ Type Tipo	Codice flangia Flange code Bordscheiben Typ Code flasque Código brida	N. denti N. of teeth Zähnezahl N. bre de dents Cantidad de dientes	Dp	De	Df	Dm	Di	F	L	d	Peso Weight / Gewicht Poids / Peso Kg
Acciaio / Steel / Stahl Acier / Acero  con flangia / with flanges mit Flanges / avec flasques con tapetas	<b>22 8M 30</b>	<b>08M3022</b>	6F	FL053	22	56,02	54,65	60,0	43,0	-	38	48	12	0,69
	<b>24 8M 30</b>	<b>08M3024</b>	6F	FL069	24	61,12	59,75	66,0	45,0	-	38	48	12	0,84
	<b>26 8M 30</b>	<b>08M3026</b>	6F	FL061	26	66,21	64,84	70,0	48,0	-	38	48	12	1,00
	<b>28 8M 30</b>	<b>08M3028</b>	6F	FL079	28	71,30	69,93	75,0	50,0	-	38	48	15	1,12
	<b>30 8M 30</b>	<b>08M3030</b>	6F	FL073	30	76,39	75,02	83,0	55,0	-	38	48	15	1,32
	<b>32 8M 30</b>	<b>08M3032</b>	6F	FL076	32	81,49	80,16	87,0	60,0	-	38	48	15	1,53
	<b>34 8M 30</b>	<b>08M3034</b>	6F	FL066	34	86,58	85,22	91,0	70,0	-	38	48	15	1,80
	<b>36 8M 30</b>	<b>08M3036</b>	6F	FL068	36	91,67	90,30	97,0	75,0	-	38	48	15	1,99
	<b>38 8M 30</b>	<b>08M3038</b>	6F	FL070	38	96,77	95,39	102,0	75,0	-	38	48	15	2,27
	<b>40 8M 30</b>	<b>08M3040</b>	6F	FL077	40	101,86	100,49	106,0	75,0	-	38	48	15	2,40
	<b>44 8M 30</b>	<b>08M3044</b>	6F	FL075	44	112,05	110,67	120,0	75,0	-	38	48	15	2,80
	<b>48 8M 30</b>	<b>08M3048</b>	6F	FL078	48	122,23	120,86	128,0	75,0	-	38	48	15	3,20
	<b>56 8M 30</b>	<b>08M3056</b>	6WF	FL085	56	142,60	141,23	150,0	90,0	116	38	48	15	3,60
	<b>64 8M 30</b>	<b>08M3064</b>	6WF	FL090	64	162,97	161,60	168,0	90,0	137	38	48	15	4,30
<b>72 8M 30</b>	<b>08M3072</b>	6WF	FL097	72	183,35	181,97	192,0	95,0	158	38	48	15	4,80	
Ghisa / Cast iron Grauguss / Fonte Hierro fundido  senza flangia / without flanges / ohne Flanschen sans flasques / sin tapetas	<b>80 8M 30</b>	<b>08M3080</b>	6W	-	80	203,72	202,35	-	100,0	180	38	48	15	5,10
	<b>90 8M 30</b>	<b>08M3090</b>	6A	-	90	229,18	227,81	-	100,0	204	38	48	15	5,70
	<b>112 8M 30</b>	<b>08M3011</b>	6A	-	112	285,21	283,83	-	100,0	254	38	48	18	6,80
	<b>144 8M 30</b>	<b>08M3014</b>	6A	-	144	366,69	365,32	-	100,0	336	38	48	20	9,30
	<b>168 8M 30</b>	<b>08M3016</b>	6A	-	168	427,81	426,44	-	100,0	400	38	48	20	11,40
	<b>192 8M 30</b>	<b>08M3019</b>	6A	-	192	488,92	487,55	-	100,0	460	38	48	20	16,00

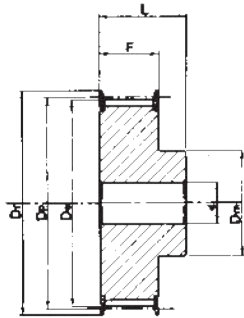
### HTD® 8M-50

Caratteristiche Features Merkmal Características	Codice Code symbol Bezeichnung Code symbole Numero de fabrica	Nostro codice Our code Unser Code Notre code Nuestro codigo	Tipo Type Typ Type Tipo	Codice flangia Flange code Bordscheiben Typ Code flasque Código brida	N. denti N. of teeth Zähnezahl N. bre de dents Cantidad de dientes	Dp	De	Df	Dm	Di	F	L	d	Peso Weight / Gewicht Poids / Peso Kg	
Acciaio / Steel / Stahl Acier / Acero	con flangia / with flanges mit Flanges / avec flasques con tapetas	<b>22 8M 50</b>	<b>08M5022</b>	6F	FL053	22	56,02	54,65	60,0	43,0	-	60	70	12	1,00
		<b>24 8M 50</b>	<b>08M5024</b>	6F	FL069	24	61,12	59,75	66,0	45,0	-	60	70	12	1,23
		<b>26 8M 50</b>	<b>08M5026</b>	6F	FL061	26	66,21	64,84	70,0	48,0	-	60	70	15	1,50
		<b>28 8M 50</b>	<b>08M5028</b>	6F	FL079	28	71,30	69,93	75,0	50,0	-	60	70	15	1,67
		<b>30 8M 50</b>	<b>08M5030</b>	6F	FL073	30	76,39	75,02	83,0	55,0	-	60	70	15	1,97
		<b>32 8M 50</b>	<b>08M5032</b>	6F	FL076	32	81,49	80,16	87,0	60,0	-	60	70	15	2,27
		<b>34 8M 50</b>	<b>08M5034</b>	6F	FL066	34	86,58	85,22	91,0	70,0	-	60	70	15	2,69
		<b>36 8M 50</b>	<b>08M5036</b>	6F	FL068	36	91,67	90,30	97,0	75,0	-	60	70	15	2,97
		<b>38 8M 50</b>	<b>08M5038</b>	6F	FL070	38	96,77	95,39	102,0	75,0	-	60	70	15	3,23
		<b>40 8M 50</b>	<b>08M5040</b>	6F	FL077	40	101,86	100,49	106,0	75,0	-	60	70	18	3,50
		<b>44 8M 50</b>	<b>08M5044</b>	6F	FL075	44	112,05	110,67	120,0	75,0	-	60	70	18	3,90
		<b>48 8M 50</b>	<b>08M5048</b>	6F	FL078	48	122,23	120,86	128,0	75,0	-	60	70	18	4,30
		<b>56 8M 50</b>	<b>08M5056</b>	10WF	FL085	56	142,60	141,23	150,0	80,0	116	60	60	18	5,00
		<b>64 8M 50</b>	<b>08M5064</b>	10WF	FL090	64	162,97	161,60	168,0	80,0	137	60	60	18	5,60
<b>72 8M 50</b>	<b>08M5072</b>	10WF	FL097	72	183,35	181,97	192,0	80,0	158	60	60	18	6,80		
Ghisa / Cast iron Grauguss / Fonte Hierro fundido	senza flangia / without flanges / ohne Flanschen sans flasques / sin tapetas	<b>80 8M 50</b>	<b>08M5080</b>	10W	-	80	203,72	202,35	-	110,0	180	60	60	18	6,90
		<b>90 8M 50</b>	<b>08M5090</b>	10A	-	90	229,18	227,81	-	110,0	204	60	60	18	8,60
		<b>112 8M 50</b>	<b>08M5011</b>	10A	-	112	285,21	283,83	-	110,0	254	60	60	18	9,60
		<b>144 8M 50</b>	<b>08M5014</b>	10A	-	144	366,69	365,32	-	110,0	336	60	60	20	13,80
		<b>168 8M 50</b>	<b>08M5016</b>	10A	-	168	427,81	426,44	-	120,0	400	60	60	20	16,00
		<b>192 8M 50</b>	<b>08M5019</b>	10A	-	192	488,92	487,55	-	130,0	460	60	60	20	22,40

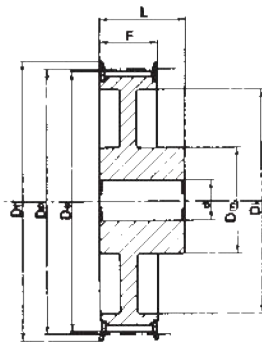
### HTD® 8M-85

Caratteristiche Features Merkmal Características	Codice Code symbol Bezeichnung Code symbole Numero de fabrica	Nostro codice Our code Unser Code Notre code Nuestro codigo	Tipo Type Typ Type Tipo	Codice flangia Flange code Bordscheiben Typ Code flasque Código brida	N. denti N. of teeth Zähnezahl N. bre de dents Cantidad de dientes	Dp	De	Df	Dm	Di	F	L	d	Peso Weight / Gewicht Poids / Peso Kg	
Acciaio / Steel / Stahl Acier / Acero	con flangia / with flanges mit Flanges / avec flasques con tapetas	<b>22 8M 85</b>	<b>08M8522</b>	6F	FL053	22	56,02	54,65	60,0	43,0	-	95	105	12	1,55
		<b>24 8M 85</b>	<b>08M8524</b>	6F	FL069	24	61,12	59,75	66,0	45,0	-	95	105	12	1,90
		<b>26 8M 85</b>	<b>08M8526</b>	6F	FL061	26	66,21	64,84	70,0	48,0	-	95	105	12	2,25
		<b>28 8M 85</b>	<b>08M8528</b>	6F	FL079	28	71,30	69,93	75,0	50,0	-	95	105	15	2,55
		<b>30 8M 85</b>	<b>08M8530</b>	6F	FL073	30	76,39	75,02	83,0	55,0	-	95	105	15	3,00
		<b>32 8M 85</b>	<b>08M8532</b>	6F	FL076	32	81,49	80,16	87,0	60,0	-	95	105	15	3,57
		<b>34 8M 85</b>	<b>08M8534</b>	6F	FL066	34	86,58	85,22	91,0	66,0	-	95	105	15	4,00
		<b>36 8M 85</b>	<b>08M8536</b>	6F	FL068	36	91,67	90,30	97,0	70,0	-	95	105	15	4,50
		<b>38 8M 85</b>	<b>08M8538</b>	6F	FL070	38	96,77	95,39	102,0	75,0	-	95	105	15	5,00
		<b>40 8M 85</b>	<b>08M8540</b>	6F	FL077	40	101,86	100,49	106,0	75,0	-	95	105	18	5,20
		<b>44 8M 85</b>	<b>08M8544</b>	6F	FL075	44	112,05	110,67	120,0	75,0	-	95	105	18	6,60
		<b>48 8M 85</b>	<b>08M8548</b>	6F	FL078	48	122,23	120,86	128,0	80,0	-	95	105	18	7,00
		<b>56 8M 85</b>	<b>08M8556</b>	6F	FL085	56	142,60	141,23	150,0	90,0	-	95	105	18	10,00
		<b>64 8M 85</b>	<b>08M8564</b>	10WF	FL090	64	162,97	161,60	168,0	100,0	137	95	95	20	10,40
<b>72 8M 85</b>	<b>08M8572</b>	10WF	FL097	72	183,35	181,97	192,0	100,0	158	95	95	20	11,40		
Ghisa / Cast iron Grauguss / Fonte Hierro fundido	senza flangia / without flanges / ohne Flanschen sans flasques / sin tapetas	<b>80 8M 85</b>	<b>08M8580</b>	10W	-	80	203,72	202,35	-	110,0	180	95	95	20	11,10
		<b>90 8M 85</b>	<b>08M8590</b>	10A	-	90	229,18	227,81	-	110,0	204	95	95	20	12,20
		<b>112 8M 85</b>	<b>08M8511</b>	10A	-	112	285,21	283,83	-	110,0	254	95	95	24	15,00
		<b>144 8M 85</b>	<b>08M8514</b>	10A	-	144	366,69	365,32	-	110,0	336	95	95	24	21,50
		<b>168 8M 85</b>	<b>08M8516</b>	10A	-	168	427,81	426,44	-	120,0	400	95	95	24	24,10
		<b>192 8M 85</b>	<b>08M8519</b>	10A	-	192	488,92	487,55	-	130,0	460	95	95	24	30,60

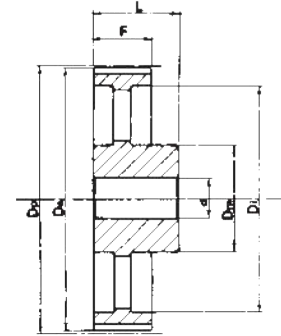




Tipo / Type  
6F



Tipo / Type  
6WF



Tipo / Type  
6A



HTD® 14M-40

Caratteristiche Features Merkmale Características	Codice Code symbol Bezeichnung Code symbole Numero de fabrica	Nostro codice Our code Unser Code Notre code Nuestro codigo	Tipo Type Typ Type Tipo	Codice flangia Flange code Bordscheiben Typ Code flasque Código brida	N. denti N. of teeth Zähnezahl N. bre de dents Cantidad de dientes	Dp	De	Df	Dm	Di	F	L	d	Peso Weight / Gewicht Poids / Peso Kg
Acciaio / Steel / Stahl Acier / Acero	28 14M 40	14M4028	6F	FL153	28	124,78	122,12	128,0	100,0	-	54	69	24	4,73
	29 14M 40	14M4029	6F	FL154	29	129,23	126,57	138,0	100,0	-	54	69	24	5,09
	30 14M 40	14M4030	6F	FL154	30	133,69	130,99	138,0	100,0	-	54	69	24	5,45
	32 14M 40	14M4032	6F	FL160	32	142,60	139,88	154,0	100,0	-	54	69	24	6,17
	34 14M 40	14M4034	6F	FL166	34	151,52	148,79	160,0	100,0	-	54	69	24	6,88
	36 14M 40	14M4036	6F	FL168	36	160,43	157,68	168,0	100,0	-	54	69	24	7,60
	38 14M 40	14M4038	6F	FL172	38	169,34	166,60	183,0	120,0	-	54	69	24	8,28
	40 14M 40	14M4040	6F	FL162	40	178,25	175,49	188,0	120,0	-	54	69	24	9,26
	44 14M 40	14M4044	6F	FL175	44	196,08	193,28	211,0	120,0	-	54	69	24	10,32
Ghisa / Cast iron Grauguss / Fonte Hierro fundido	48 14M 40	14M4048	6WF	FL180	48	213,90	211,11	226,0	135,0	170	54	69	24	11,50
	56 14M 40	14M4056	6WF	FL182	56	249,55	246,76	256,0	135,0	207	54	69	28	13,05
	64 14M 40	14M4064	6WF	FL184	64	285,21	282,41	296,0	135,0	240	54	69	28	14,40
	72 14M 40	14M4072	6A	-	72	320,86	318,06	-	135,0	280	54	69	28	16,90
	80 14M 40	14M4080	6A	-	80	356,51	353,71	-	135,0	314	54	69	28	18,50
	90 14M 40	14M4090	6A	-	90	401,07	398,28	-	135,0	358	54	69	28	20,00
	112 14M 40	14M4011	6A	-	112	499,11	496,32	-	135,0	456	54	69	28	26,70
	144 14M 40	14M4014	6A	-	144	641,71	638,92	-	135,0	600	54	69	28	35,00
	168 14M 40	14M4016	6A	-	168	748,66	745,87	-	135,0	706	54	69	28	44,20
192 14M 40	14M4019	6A	-	192	855,62	852,82	-	135,0	813	54	69	28	52,20	
216 14M 40	14M4021	6A	-	216	962,57	959,76	-	150,0	920	54	69	28	62,50	

### HTD® 14M-55

Caratteristiche Features Merkmale Características	Codice Code symbol Bezeichnung Code symbole Numero de fabrica	Nostro codice Our code Unser Code Notre code Nuestro codigo	Tipo Type Typ Tipo	Codice flangia Flange code Bordscheiben Typ Code flasque Código brida	N. denti N. of teeth Zähnezahl Code flasque Cantidad de dientes	Dp	De	Df	Dm	Di	F	L	d	Peso Weight / Gewicht Poids / Peso Kg	
Acciaio / Steel / Stahl Acier / Acero	con flangia / with flanges mit Flanges / avec flasques con tapetas	<b>28 14M 55</b>	<b>14M5528</b>	6F	FL153	28	124,78	122,12	128,0	-	70	85	24	5,60	
		<b>29 14M 55</b>	<b>14M5529</b>	6F	FL154	29	129,23	126,57	138,0	-	70	85	24	6,10	
		<b>30 14M 55</b>	<b>14M5530</b>	6F	FL154	30	133,69	130,99	138,0	-	70	85	24	6,60	
		<b>32 14M 55</b>	<b>14M5532</b>	6F	FL160	32	142,60	139,88	154,0	-	70	85	24	7,60	
		<b>34 14M 55</b>	<b>14M5534</b>	6F	FL166	34	151,52	148,79	160,0	-	70	85	24	8,60	
		<b>36 14M 55</b>	<b>14M5536</b>	6F	FL168	36	160,43	157,68	168,0	-	70	85	24	9,60	
		<b>38 14M 55</b>	<b>14M5538</b>	6F	FL172	38	169,34	166,60	183,0	-	70	85	24	10,80	
		<b>40 14M 55</b>	<b>14M5540</b>	6F	FL162	40	178,25	175,49	188,0	-	70	85	24	11,20	
		<b>44 14M 55</b>	<b>14M5544</b>	6F	FL175	44	196,08	193,28	211,0	-	70	85	24	12,50	
Ghisa / Cast iron Grauguss / Fonte Hierro fundido	senza flangia / without flanges / ohne Flanschen sans flasques / sin tapetas	<b>48 14M 55</b>	<b>14M5548</b>	10WF	FL180	48	213,90	211,11	226,0	170	70	70	24	13,70	
		<b>56 14M 55</b>	<b>14M5556</b>	10WF	FL182	56	249,55	246,76	256,0	207	70	70	28	14,50	
		<b>64 14M 55</b>	<b>14M5564</b>	10WF	FL184	64	285,21	282,41	296,0	240	70	70	28	15,60	
		<b>72 14M 55</b>	<b>14M5572</b>	10A	-	72	320,86	318,06	-	135,0	280	70	70	28	16,90
		<b>80 14M 55</b>	<b>14M5580</b>	10A	-	80	356,51	353,71	-	135,0	314	70	70	28	20,00
		<b>90 14M 55</b>	<b>14M5590</b>	10A	-	90	401,07	398,28	-	135,0	358	70	70	28	22,60
		<b>112 14M 55</b>	<b>14M5511</b>	10A	-	112	499,11	496,32	-	135,0	456	70	70	28	29,50
		<b>144 14M 55</b>	<b>14M5514</b>	10A	-	144	641,71	638,92	-	135,0	600	70	70	28	39,00
		<b>168 14M 55</b>	<b>14M5516</b>	10A	-	168	748,66	745,87	-	135,0	706	70	70	28	48,50
		<b>192 14M 55</b>	<b>14M5519</b>	10A	-	192	855,62	852,82	-	135,0	813	70	70	28	57,80
<b>216 14M 55</b>	<b>14M5521</b>	10A	-	216	962,57	959,76	-	150,0	920	70	70	28	67,00		

### HTD® 14M-85

Caratteristiche Features Merkmale Características	Codice Code symbol Bezeichnung Code symbole Numero de fabrica	Nostro codice Our code Unser Code Notre code Nuestro codigo	Tipo Type Typ Tipo	Codice flangia Flange code Bordscheiben Typ Code flasque Código brida	N. denti N. of teeth Zähnezahl Code flasque Cantidad de dientes	Dp	De	Df	Dm	Di	F	L	d	Peso Weight / Gewicht Poids / Peso Kg	
Acciaio / Steel / Stahl Acier / Acero	con flangia / with flanges mit Flanges / avec flasques con tapetas	<b>28 14M 85</b>	<b>14M8528</b>	6F	FL153	28	124,78	122,12	128,0	-	102	117	24	7,70	
		<b>29 14M 85</b>	<b>14M8529</b>	6F	FL154	29	129,23	126,57	138,0	-	102	117	24	8,40	
		<b>30 14M 85</b>	<b>14M8530</b>	6F	FL154	30	133,69	130,99	138,0	-	102	117	24	9,10	
		<b>32 14M 85</b>	<b>14M8532</b>	6F	FL160	32	142,60	139,88	154,0	-	102	117	24	10,50	
		<b>34 14M 85</b>	<b>14M8534</b>	6F	FL166	34	151,52	148,79	160,0	-	102	117	24	11,90	
		<b>36 14M 85</b>	<b>14M8536</b>	6F	FL168	36	160,43	157,68	168,0	-	102	117	32	13,20	
		<b>38 14M 85</b>	<b>14M8538</b>	6F	FL172	38	169,34	166,60	183,0	-	102	117	32	15,15	
		<b>40 14M 85</b>	<b>14M8540</b>	6F	FL162	40	178,25	175,49	188,0	135,0	-	102	117	32	17,10
		<b>44 14M 85</b>	<b>14M8544</b>	6F	FL175	44	196,08	193,28	211,0	135,0	-	102	117	32	23,30
Ghisa / Cast iron Grauguss / Fonte Hierro fundido	senza flangia / without flanges / ohne Flanschen sans flasques / sin tapetas	<b>48 14M 85</b>	<b>14M8548</b>	6F	FL180	48	213,90	211,11	226,0	150,0	-	102	117	32	25,00
		<b>56 14M 85</b>	<b>14M8556</b>	10WF	FL182	56	249,55	246,76	256,0	150,0	207	102	102	32	25,00
		<b>64 14M 85</b>	<b>14M8564</b>	10WF	FL184	64	285,21	282,41	296,0	150,0	240	102	102	32	30,50
		<b>72 14M 85</b>	<b>14M8572</b>	10A	-	72	320,86	318,06	-	150,0	278	102	102	32	28,80
		<b>80 14M 85</b>	<b>14M8580</b>	10A	-	80	356,51	353,71	-	150,0	314	102	102	32	30,10
		<b>90 14M 85</b>	<b>14M8590</b>	10A	-	90	401,07	398,28	-	150,0	358	102	102	32	33,00
		<b>112 14M 85</b>	<b>14M8511</b>	10A	-	112	499,11	496,32	-	150,0	456	102	102	32	41,80
		<b>144 14M 85</b>	<b>14M8514</b>	10A	-	144	641,71	638,92	-	150,0	600	102	102	32	52,40
		<b>168 14M 85</b>	<b>14M8516</b>	10A	-	168	748,66	745,87	-	150,0	706	102	102	32	60,30
		<b>192 14M 85</b>	<b>14M8519</b>	10A	-	192	855,62	852,82	-	165,0	813	102	102	32	70,20
<b>216 14M 85</b>	<b>14M8521</b>	10A	-	216	962,57	959,76	-	160,0	920	102	102	32	81,00		

**Pulegge dentate per cinghie HTD® / Timing belt pulleys HTD®**  
**HTD® Zahnriemenscheiben / Poulies dentées HTD®**  
**Poleas para correas dentadas HTD®**



**HTD® 14M-115**

Caratteristiche Features Merkmale Características	Codice Code symbol Bezeichnung Code symbole Numero de fabrica	Nostro codice Our code Unser Code Notre code Nuestro codigo	Tipo Type Typ Type Tipo	Codice flangia Flange code Bordscheiben Typ Code flasque Código brida	N. denti N. of teeth Zähnezahl N. bre de dents Cantidad de dientes	Dp	De	Df	Dm	Di	F	L	d	Peso Weight / Gewicht Poids / Peso Kg	
Acciaio / Steel / Stahl Acier / Acero	con flangia / with flanges mit Flanges / avec flasques con tapetas	<b>28 14M 115</b>	<b>14M1128</b>	6F	FL153	28	124,78	122,12	128,0	-	133	148	32	9,20	
		<b>29 14M 115</b>	<b>14M1129</b>	6F	FL154	29	129,23	126,57	138,0	-	133	148	32	10,20	
		<b>30 14M 115</b>	<b>14M1130</b>	6F	FL154	30	133,69	130,99	138,0	100,0	-	133	148	32	11,20
		<b>32 14M 115</b>	<b>14M1132</b>	6F	FL160	32	142,60	139,88	154,0	100,0	-	133	148	32	13,20
		<b>34 14M 115</b>	<b>14M1134</b>	6F	FL166	34	151,52	148,79	160,0	100,0	-	133	148	32	14,80
		<b>36 14M 115</b>	<b>14M1136</b>	6F	FL168	36	160,43	157,68	168,0	100,0	-	133	148	32	16,60
		<b>38 14M 115</b>	<b>14M1138</b>	6F	FL172	38	169,34	166,60	183,0	120,0	-	133	148	32	19,20
		<b>40 14M 115</b>	<b>14M1140</b>	6F	FL162	40	178,25	175,49	188,0	135,0	-	133	148	32	20,56
		<b>44 14M 115</b>	<b>14M1144</b>	6F	FL175	44	196,08	193,28	211,0	140,0	-	133	148	32	21,93
		<b>48 14M 115</b>	<b>14M1148</b>	6F	FL180	48	213,90	211,11	226,0	150,0	-	133	148	32	25,00
	<b>56 14M 115</b>	<b>14M1156</b>	6F	FL182	56	249,55	246,76	256,0	150,0	-	133	148	32	27,50	
	<b>64 14M 115</b>	<b>14M1164</b>	10WF	FL184	64	285,21	282,41	296,0	150,0	240	133	133	32	30,10	
Ghisa / Cast iron Grauguss / Fonte Hierro fundido	senza flangia / without flanges / ohne Flanschen sans flasques / sin tapetas	<b>72 14M 115</b>	<b>14M1172</b>	10A	-	72	320,86	318,06	-	150,0	278	133	133	32	32,83
		<b>80 14M 115</b>	<b>14M1180</b>	10A	-	80	356,51	353,71	-	150,0	314	133	133	32	35,55
		<b>90 14M 115</b>	<b>14M1190</b>	10A	-	90	401,07	398,28	-	150,0	358	133	133	32	41,00
		<b>112 14M 115</b>	<b>14M1111</b>	10A	-	112	499,11	496,32	-	150,0	456	133	133	32	54,40
		<b>144 14M 115</b>	<b>14M1114</b>	10A	-	144	641,71	638,92	-	165,0	600	133	133	32	67,80
		<b>168 14M 115</b>	<b>14M1116</b>	10A	-	168	748,66	745,87	-	165,0	706	133	133	32	75,80
		<b>192 14M 115</b>	<b>14M1119</b>	10A	-	192	855,62	852,82	-	165,0	813	133	133	32	88,30
		<b>216 14M 115</b>	<b>14M1121</b>	10A	-	216	962,57	959,76	-	165,0	920	133	133	32	98,00

**HTD® 14M-170**

Caratteristiche Features Merkmale Características	Codice Code symbol Bezeichnung Code symbole Numero de fabrica	Nostro codice Our code Unser Code Notre code Nuestro codigo	Tipo Type Typ Type Tipo	Codice flangia Flange code Bordscheiben Typ Code flasque Código brida	N. denti N. of teeth Zähnezahl N. bre de dents Cantidad de dientes	Dp	De	Df	Dm	Di	F	L	d	Peso Weight / Gewicht Poids / Peso Kg	
Acciaio / Steel / Stahl Acier / Acero	con flangia / with flanges mit Flanges / avec flasques con tapetas	<b>28 14M 170</b>	<b>14M1728</b>	6F	FL153	28	124,78	122,12	128,0	-	187	202	32	9,20	
		<b>29 14M 170</b>	<b>14M1729</b>	6F	FL154	29	129,23	126,57	138,0	-	187	202	32	10,20	
		<b>30 14M 170</b>	<b>14M1730</b>	6F	FL154	30	133,69	130,99	138,0	100,0	-	187	202	32	11,20
		<b>32 14M 170</b>	<b>14M1732</b>	6F	FL160	32	142,60	139,88	154,0	100,0	-	187	202	32	13,20
		<b>34 14M 170</b>	<b>14M1734</b>	6F	FL166	34	151,52	148,79	160,0	100,0	-	187	202	32	14,80
		<b>36 14M 170</b>	<b>14M1736</b>	6F	FL168	36	160,43	157,68	168,0	100,0	-	187	202	32	16,60
		<b>38 14M 170</b>	<b>14M1738</b>	6F	FL172	38	169,34	166,60	183,0	120,0	-	187	202	32	19,20
		<b>40 14M 170</b>	<b>14M1740</b>	6F	FL162	40	178,25	175,49	188,0	135,0	-	187	202	32	20,56
		<b>44 14M 170</b>	<b>14M1744</b>	6F	FL175	44	196,08	193,28	211,0	140,0	-	187	202	32	21,93
		<b>48 14M 170</b>	<b>14M1748</b>	6F	FL180	48	213,90	211,11	226,0	150,0	-	187	202	32	25,00
	<b>56 14M 170</b>	<b>14M1756</b>	6F	FL182	56	249,55	246,76	256,0	150,0	-	187	202	32	27,50	
	<b>64 14M 170</b>	<b>14M1764</b>	10WF	FL184	64	285,21	282,41	296,0	150,0	240	187	187	32	30,10	
Ghisa / Cast iron Grauguss / Fonte Hierro fundido	senza flangia / without flanges / ohne Flanschen sans flasques / sin tapetas	<b>72 14M 170</b>	<b>14M1772</b>	10A	-	72	320,86	318,06	-	150,0	278	187	187	32	32,83
		<b>80 14M 170</b>	<b>14M1780</b>	10A	-	80	356,51	353,71	-	150,0	314	187	187	32	35,55
		<b>90 14M 170</b>	<b>14M1790</b>	10A	-	90	401,07	398,28	-	150,0	358	187	187	32	41,00
		<b>112 14M 170</b>	<b>14M1711</b>	10A	-	112	499,11	496,32	-	150,0	456	187	187	32	54,40
		<b>144 14M 170</b>	<b>14M1714</b>	10A	-	144	641,71	638,92	-	165,0	600	187	187	32	67,80
		<b>168 14M 170</b>	<b>14M1716</b>	10A	-	168	748,66	745,87	-	165,0	706	187	187	32	75,80
		<b>192 14M 170</b>	<b>14M1719</b>	10A	-	192	855,62	852,82	-	165,0	813	187	187	32	88,30
		<b>216 14M 170</b>	<b>14M1721</b>	10A	-	216	962,57	959,76	-	165,0	920	187	187	32	98,00

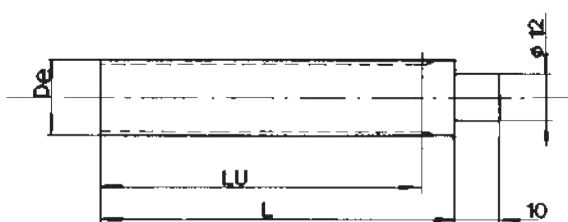
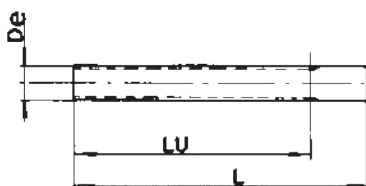
**Materiale:**  
**alluminio 6082 T6**  
**UNI 9006/4 adatto al**  
**trattamento anodico**

**Material:**  
**aluminium 6082 T6**  
**UNI 9006/4 suitable for**  
**anodic treatment**

**Werkstoff:**  
**aluminium 6082 T6**  
**UNI 9006/4 geeignet für**  
**anodischen oxydation**

**Matière:**  
**aluminium 6082 T6**  
**UNI 9006/4 apte au**  
**traitement anodique**

**Material:**  
**aluminio 6082 T6**  
**UNI 9006/4 apto para la**  
**oxidación anodica**



### HTD® 3M

Codice Code symbol Bezeichnung Code symbole Numero de fabrica	Nostro codice Our code Unser Code Notre code Nuestro codigo	N. denti N. of teeth Zähnezahl N. bre de dents Cantidad de dientes	Dp	De	Lu	L
9 3M	B03M009	9	8,59	7,83	75	100
10 3M	B03M010	10	9,55	8,79	75	100
11 3M	B03M011	11	10,50	9,74	75	100
12 3M	B03M012	12	11,46	10,70	100	125
13 3M	B03M013	13	12,41	11,65	100	125
14 3M	B03M014	14	13,37	12,61	100	125
15 3M	B03M015	15	14,32	13,56	100	125
16 3M	B03M016	16	15,28	14,52	125	155
17 3M	B03M017	17	16,23	15,47	125	155
18 3M	B03M018	18	17,19	16,43	125	155
19 3M	B03M019	19	18,14	17,38	125	155
20 3M	B03M020	20	19,10	18,34	150	165
21 3M	B03M021	21	20,05	19,25	150	165
22 3M	B03M022	22	21,01	20,25	150	165
23 3M	B03M023	23	21,96	21,20	150	165
24 3M	B03M024	24	22,92	22,16	150	165
25 3M	B03M025	25	23,87	23,11	150	165
26 3M	B03M026	26	24,83	24,07	150	165
27 3M	B03M027	27	25,78	25,02	150	165
28 3M	B03M028	28	26,74	25,98	150	165
29 3M	B03M029	29	27,69	26,93	150	165
30 3M	B03M030	30	28,65	27,89	175	183
31 3M	B03M031	31	29,60	28,84	175	183
32 3M	B03M032	32	30,56	29,80	175	183
33 3M	B03M033	33	31,54	30,75	175	183
34 3M	B03M034	34	32,47	31,71	175	183
35 3M	B03M035	35	33,42	32,66	175	183
36 3M	B03M036	36	34,38	33,62	200	200
37 3M	B03M037	37	35,33	34,57	200	200
38 3M	B03M038	38	36,29	35,53	200	200
39 3M	B03M039	39	37,24	36,48	200	200
40 3M	B03M040	40	38,20	37,44	200	200
42 3M	B03M042	42	40,11	39,34	200	200
44 3M	B03M044	44	42,02	41,26	200	200
45 3M	B03M045	45	42,97	42,21	200	200
48 3M	B03M048	48	45,84	45,08	200	200
50 3M	B03M050	50	47,75	46,99	200	200
52 3M	B03M052	52	49,66	48,90	200	200
54 3M	B03M054	54	51,57	50,81	200	200
56 3M	B03M056	56	53,48	52,72	200	200
60 3M	B03M060	60	57,30	56,54	200	200
62 3M	B03M062	62	59,21	58,45	200	200
64 3M	B03M064	64	61,12	60,36	200	200
66 3M	B03M066	66	63,03	62,27	200	200
68 3M	B03M068	68	64,94	64,18	200	200
70 3M	B03M070	70	66,85	66,09	200	200
72 3M	B03M072	72	68,75	67,99	200	200

### HTD® 5M

Codice Code symbol Bezeichnung Code symbole Numero de fabrica	Nostro codice Our code Unser Code Notre code Nuestro codigo	N. denti N. of teeth Zähnezahl N. bre de dents Cantidad de dientes	Dp	De	Lu	L
12 - 5M	B05M012	12	19,10	17,96	150	165
13 - 5M	B05M013	13	20,69	19,55	150	165
14 - 5M	B05M014	14	22,28	21,14	175	183
15 - 5M	B05M015	15	23,87	22,73	175	183
16 - 5M	B05M016	16	25,46	24,32	175	183
17 - 5M	B05M017	17	27,06	25,92	175	183
18 - 5M	B05M018	18	28,65	27,51	200	200
19 - 5M	B05M019	19	30,24	29,10	200	200
20 - 5M	B05M020	20	31,83	30,69	200	200
21 - 5M	B05M021	21	33,42	32,28	200	200
22 - 5M	B05M022	22	35,01	33,87	200	200
23 - 5M	B05M023	23	36,61	35,47	200	200
24 - 5M	B05M024	24	38,20	37,06	200	200
25 - 5M	B05M025	25	39,79	38,65	200	200
26 - 5M	B05M026	26	41,38	40,24	200	200
27 - 5M	B05M027	27	42,97	41,83	200	200
28 - 5M	B05M028	28	44,56	43,42	200	200
29 - 5M	B05M029	29	46,15	45,01	200	200
30 - 5M	B05M030	30	47,75	46,60	200	200
31 - 5M	B05M031	31	49,34	48,20	200	200
32 - 5M	B05M032	32	50,93	49,79	200	200
33 - 5M	B05M033	33	52,52	51,38	200	200
34 - 5M	B05M034	34	54,11	52,97	200	200
35 - 5M	B05M035	35	55,70	54,56	200	200
36 - 5M	B05M036	36	57,30	56,16	200	200
38 - 5M	B05M038	38	60,48	59,34	200	200
40 - 5M	B05M040	40	63,66	62,52	200	200
42 - 5M	B05M042	42	66,85	65,71	200	200
44 - 5M	B05M044	44	70,03	68,89	200	200
45 - 5M	B05M045	45	71,62	70,48	200	200
46 - 5M	B05M046	46	73,21	72,07	200	200
48 - 5M	B05M048	48	76,39	75,25	200	200
50 - 5M	B05M050	50	79,58	78,43	200	200
54 - 5M	B05M054	54	85,94	84,80	200	200
60 - 5M	B05M060	60	95,49	94,35	200	200
62 - 5M	B05M062	62	98,68	97,54	200	200
72 - 5M	B05M072	72	114,59	113,45	200	200